



Installation Guide

Quality, Design and Innovation



home.liebherr.com/fridge-manuals



LIEBHERR



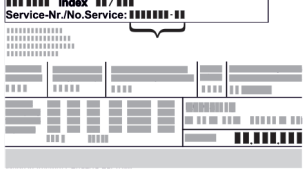
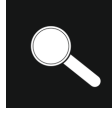



General safety instructions

Contents

1	General safety instructions.....	2
2	Installation requirements.....	3
2.1	Installation site.....	3
2.2	Position in space.....	3
2.3	Integration into a kitchen unit.....	3
3	Installation dimensions.....	4
4	Ventilation requirements.....	4
5	Connection dimensions for the power supply.....	4
6	Water connection*.....	5
6.1	Dimensions for the water connection*.....	5
6.2	Water pressure.....	5
7	Transporting the appliance.....	5
7.1	Transporting the appliance for initial use.....	5
7.2	Transporting the appliance after initial use.....	6
8	Unpacking the appliance.....	6
9	Mounting wall spacers*.....	6
10	Setting up the appliance.....	6
11	Setting up the appliance so that it is level.....	6
12	After setting up.....	7
13	Installing multiple appliances.....	7
14	Integrating the appliance into a kitchen unit.....	7
14.1	Niche dimensions for appliances with recessed handles*.....	8
14.2	Niche dimensions for appliances with lever handle*.....	8
15	Disposing of packaging.....	8
16	Door hinge change.....	9
16.1	Removing the upper soft stop mechanism*.....	9
16.2	Removing the bottom soft stop mechanism*.....	10
16.3	Undoing the cable connection*.....	12
16.4	Empty door racks.....	12
16.5	Appliances without closing damper: Removing covers*.....	13
16.6	Removing the upper door*.....	13
16.7	Removing the upper door*.....	14
16.8	Removing the upper door*.....	14
16.9	Removing the lower door.....	14
16.10	Relocating the upper bearing components*.....	15
16.11	Relocating the upper bearing components*.....	16
16.12	Relocating the upper bearing components*.....	17
16.13	Moving the central bearing parts to the other side.....	18
16.14	Moving the lower bearing parts to the other side..	18
16.15	Moving the door bearing parts to the other side....	20
16.16	Moving the handles to the other side*.....	21
16.17	Without closing damper: Fitting the lower door*...	23
16.18	With closing damper: Fitting the lower door*.....	23
16.19	Fitting the top door*.....	23
16.20	Fitting the upper door*.....	24
16.21	Fitting the upper door*.....	24
16.22	Fitting the cable connection*.....	25
16.23	Aligning the doors.....	25
16.24	Fitting the covers*.....	26
16.25	Appliances with closing damper: Fitting the lower closing damper*.....	26
16.26	Appliances with closing damper: Fitting the upper closing damper*.....	27
17	Connecting the appliance to the water supply*..	27
17.1	Connecting the hose*.....	28
17.2	Checking the water system.....	28
18	Water tank*.....	28

18.1	Inserting the water tank.....	28
19	Water filter*.....	29
19.1	Inserting the water filter.....	29
20	Connecting the appliance to the power supply....	29

The manufacturer is continually working on the further development of all types and models. Please be aware that we reserve the right to make changes to the shape, equipment and technology.

Symbol	Explanation
	Read instructions Please read the information in these instructions carefully to understand all of the benefits of your new appliance.
	Additional information on the Internet The digital manual with additional information and in other languages can be found via the QR code on the front of the manual or by entering the service number at home.liebherr.com/fridge-manuals . The service number can be found on the serial tag:  <i>Fig. Example illustration</i>
	Check appliance Check all parts for transport damage. If you have any complaints, please contact your agent or customer service.
	Differences These instructions apply to a range of models, so differences are possible. Sections that apply to certain models only are marked with an asterisk (*).
	Instructions and results Instructions are marked with a ▶. Results are marked with a ▷.
	Videos Videos about the appliances are available on the YouTube channels of Liebherr-Hausgeräte.

Open source licences:

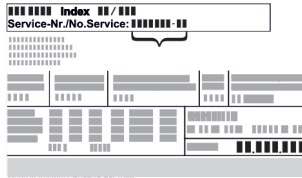
The appliance contains software components that use open source licences. Information on the open source licences used can be found here: home.liebherr.com/open-source-licences

1 General safety instructions

- Please keep this assembly manual in a safe place so you can refer back to it at any time.
- If you pass the appliance on, please hand this assembly manual to the next user.
- Read this assembly manual carefully before installation and use to ensure safe and correct use of the appliance. Follow the instructions, safety instructions and warning messages included at all times. They are important for

ensuring you can operate and install the appliance safely and without any problems.

- First read the general safety instructions in the "General safety instructions" section of the **operating instructions**, which accompany these installation instructions, and follow them. If you cannot find the **operating instructions**, you can download the **operating instructions** from the internet by entering the service number at home.liebherr.com/fridge-manuals. The service number can be found on the serial tag:



- **Observe the warning messages and other detailed information in the other sections when installing the appliance:**

	DANGER	identifies a situation involving direct danger which, if not obviated, may result in death or severe bodily injury.
	WARNING	identifies a dangerous situation which, if not obviated, may result in death or severe bodily injury.
	CAUTION	identifies a dangerous situation which, if not obviated, may result in minor or medium bodily injury.
	NOTICE	identifies a dangerous situation which, if not obviated, may result in damage to property.
	Note	identifies useful instructions and tips.

2 Installation requirements

The installation conditions are crucial to ensure that you can operate your appliance safely, efficiently and without problems.

- Observe all safety instructions.
- Consider the location and position in the room.



WARNING

Danger of fire due to incorrect positioning!

If the mains cable or plug touches the back of the appliance, the vibration can damage the mains cable or the plug resulting in a short circuit.

- ▶ Make sure the mains cable is not trapped under the appliance when you position the appliance.
- ▶ Stand the appliance so that it is not touched by connectors or main cables.
- ▶ Do not connect any appliances to sockets in the area of the back of the appliance.
- ▶ Do **not** place and operate multi-sockets/power distributors and other electronic devices (such as halogen transformers) at the back of the appliances.



WARNING

Fire hazard due to dampness!

If live parts or the mains lead become damp this may cause short circuits.

- ▶ The appliance is designed for use in enclosed areas. Do not operate the appliance outdoors or in areas where it is exposed to splash water or damp conditions.



WARNING

Leaking coolant and oil!

Fire. The coolant contained in the appliance is eco-friendly, but also flammable. The oil contained in the appliance is flammable. Escaping coolant and oil can ignite if the concentration is high enough and in contact with an external heat source.

- ▶ Do not damage the pipelines of the coolant circuit and the compressor.

2.1 Installation site

- Only set up and use the appliance in enclosed spaces.
- A dry and well-ventilated room is an optimum installation location.
- If the appliance is installed in a very damp environment, condensation may form on the appliance exterior. Always make sure there is good ventilation and aeration at the installation site.
- The more refrigerant there is in the appliance, the larger than room must be in which it is located. In rooms that are too small, a leak can produce a flammable gas/air mixture. For every 8 g of refrigerant, the installation room must be at least 1 m³ in size. Information on the refrigerant contained is given on the type plate inside the appliance.
- The floor on which the appliance stands must be horizontal and level.

2.2 Position in space

- Do not place the appliance in direct sunlight or near radiators or similar sources of heat.
- You can place the appliance directly next to an oven.
- If the appliance is placed directly next to an oven, the energy consumption may increase slightly. This is dependent on the service life and usage intensity of the oven.
- Always position the appliance with the rear directly against the wall, or with wall spacer brackets attached (see below) then with these directly against the wall.*
- Always position the appliance with the rear directly on the wall.*
- Use in hazardous areas is not permitted.

2.3 Integration into a kitchen unit

- You can convert the appliance with kitchen cabinets. (see 14 Integrating the appliance into a kitchen unit)

Installation dimensions

3 Installation dimensions

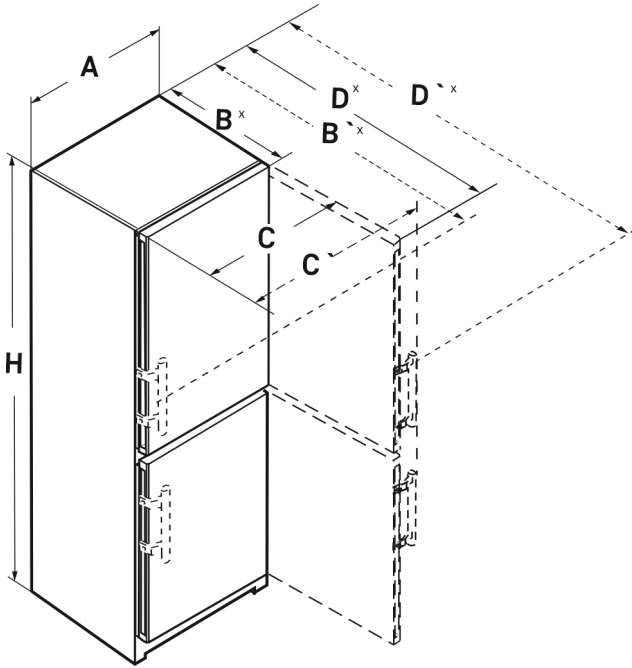


Fig. 1

	h	a	b	b`	c	c`	d	d`
CN.. 52..	1855	597	675 ^x	719 ^x	609	654	1215 ^x	1222 ^x
SCN.. 52..(i)	1855	597	675 ^x	719 ^x	609	654	1215 ^x	1222 ^x
SBN.. 52..(i)	1855	597	675 ^x	719 ^x	609	654	1215 ^x	1222 ^x
SWN.. 52..(i)	1855	597	675 ^x	719 ^x	609	654	1215 ^x	1222 ^x
CN.. 57..(i)	2015	597	675 ^x	719 ^x	609	654	1215 ^x	1222 ^x
CBN.. 575(i) / 576i	2015	597	675 ^x	719 ^x	609	654	1215 ^x	1222 ^x
CBN.. 578(i) / 579i	2015	597	675 ^x	-	609	-	1217 ^x	-
CBN.. 573i	2015	597	675 ^x	-	609	-	1217 ^x	-
CBN.. 5773	2015	597	682 ^x	-	609	-	1217 ^x	-
CN.. 77..(i)	2015	747	675 ^x	719 ^x	759	804	1365 ^x	1372 ^x
CBN.. 76..(i)	1855	747	675 ^x	719 ^x	759	804	1365 ^x	1372 ^x
CBN.. 775(i)	2015	747	675 ^x	719 ^x	759	804	1365 ^x	1372 ^x
CBN.. 778i	2015	747	675 ^x	-	759	-	1367 ^x	-

^x For appliances with supplied wall spacers, the dimensions must be increased by 15 mm .

4 Ventilation requirements

NOTICE

Danger of overheating due to insufficient air ventilation! The compressor may be damaged if there is insufficient air ventilation.

- ▶ Take care to ensure adequate air ventilation.
- ▶ Observe the ventilation requirements.

If the appliance is integrated into a kitchen unit, the following ventilation requirements must be observed:

- As a general rule: the larger the ventilation cross section, the more energy the appliance will be able to save.



Fig. 2 *

Wall gap A
25 mm

The energy consumption has been determined with a gap of Fig. 2 (A) between the rear of the appliance and the wall. If the wall gap is less than Fig. 2 (A), this does not affect the appliance's operability but the energy consumption does increase slightly at a smaller wall gap.

5 Connection dimensions for the power supply

The connection to the power supply is on the rear of the appliance. To connect your appliance safely, ensure that the following requirements are met:

- ❑ Dimensions for the connection to the power supply are known and are adhered to. See table below.
- ❑ Connection to the power supply according to the instructions. (see 20 Connecting the appliance to the power supply)

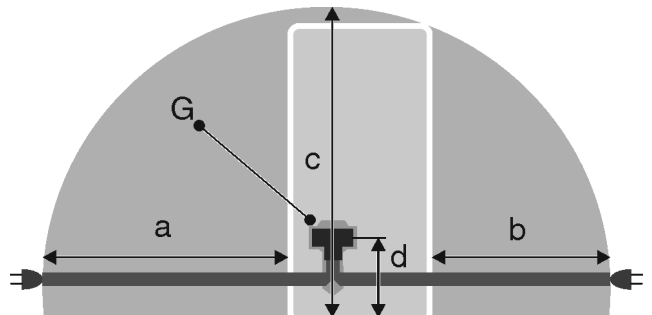


Fig. 3 Fridge/freezer combinations / freezers / full-capacity BioFresh appliances

- (a) Maximum available length of the mains connection cable
- (b) Maximum available length of the mains connection cable
- (d) Gap between appliance plug and floor
- (G) Appliance plug

(c) Maximum available vertical length of the mains connection cable

For 600 mm wide appliances:*	
a	~ 1800 mm
b	~ 1400 mm
c	~ 2100 mm
d	~ 200 mm

For 750 mm wide appliances:*	
a	~ 1725 mm
b	~ 1325 mm
c	~ 2100 mm
d	~ 200 mm

For 757 mm wide appliances:*	
a	~ 2002 mm
b	~ 200 mm
c	~ 2200 mm

6 Water connection*

If your appliance has a fixed water connection, a hose is supplied with it.*

Note

You can purchase a hose of a different length as an accessory.*

Overview of dimensions for the water connection:*	(see 6.1 Dimensions for the water connection*) *
Requirements for the water pressure:	(see 6.2 Water pressure)
Make the water connection:	(see 17 Connecting the appliance to the water supply*)

6.1 Dimensions for the water connection*

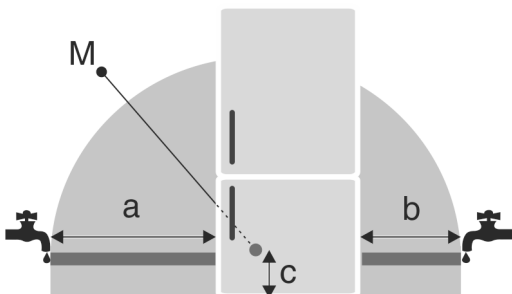


Fig. 4

- (a) Maximum available hose length
 (b) Maximum available hose length
 (c) Distance of solenoid valve to floor
 (M) Solenoid valve

For 600 mm wide appliances:*

a*	b*	c*
~ 1650 mm	~ 1500 mm	~ 150 mm

For 750 mm wide appliances:*

a*	b*	c*
~ 1575 mm	~ 1425 mm	~ 150 mm

6.2 Water pressure

The water connection line and solenoid valve of the appliance are suitable for a water pressure of up to 1 MPa (10 bar).

To ensure that the appliance functions correctly (flow rate, ice cube size, noise level), maintain the following water pressure:

Water pressure:*	
bar*	MPa*
1.5 to 6.2	0.15 to 0.62

Water pressure when using the water filter:*	
bar*	MPa*
2.8 to 6.2	0.28 to 0.62

- If the pressure is higher than 6.2 bar:
- ▶ Fit a pressure reducer.
 - ▶ Make the water connection. (see 17 Connecting the appliance to the water supply*)

7 Transporting the appliance



WARNING

Risk of injury due to broken glass!*

When transporting at an altitude of more than 1500 m, the glass panes of the door may break. This can result in sharp-edged fragments, which can cause serious injuries.

- ▶ Take appropriate protective action.

7.1 Transporting the appliance for initial use

Ensure that the following requirements are met:

- The appliance is packaged.
- The appliance is upright.

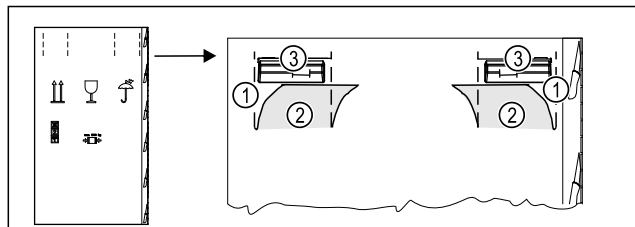


Fig. 5

- ▶ Press the packaging cardboard into the perforation Fig. 5 (1) at the top.
- ▶ Pull out any tabs Fig. 5 (2) that have been pushed in.
- ▶ Carrying handle Fig. 5 (3) visible on the right and left.
- ▶ Hold the appliance by the carrying handles Fig. 5 (3).
- ▶ Transport the appliance with the help of two people.
- ▶ Unpacking the appliance. (see 8 Unpacking the appliance)

Unpacking the appliance

7.2 Transporting the appliance after initial use

Observe the following instructions if you wish to transport or move the appliance again after initial use.

Ensure that the following requirements are met:

- The appliance is emptied.
- The appliance is upright.
- Appliance with door(s): Door is secured against accidental opening.
- Appliance with telescopic unit: The telescopic unit is secured against accidental opening.
- Appliance with adjustable feet: Adjustable feet are screwed in.
- ▶ Hold the appliance by the carrying handles.
- ▶ Transport the appliance with the help of two people.

After transport:

- ▶ Unscrew the adjustable feet on the appliance.
- ▶ Align the appliance. (see 11 Setting up the appliance so that it is level)

8 Unpacking the appliance

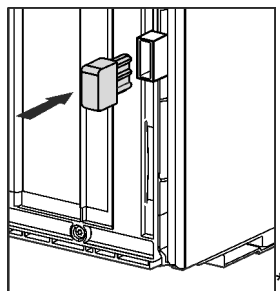
Before you connect the appliance, report any damage immediately to the delivery company.

- ▶ Check the appliance and the packaging for damage during transport. Contact the supplier immediately if you suspect any level of damage.
- ▶ Remove all materials from the back or the side walls of the appliance that may prevent proper installation or ventilation.
- ▶ Remove all protective films from the appliance. Do not use sharp or pointed objects for this.

9 Mounting wall spacers*

With wall spacers, your device achieves the declared energy consumption and no condensation forms in high ambient humidity. The device is fully functional without the spacer brackets, but its energy consumption will be slightly higher.

If you insert the wall spacers, then the device depth increases by approx. 15 mm.*



- ▶ Appliance with enclosed wall spacers: Insert the wall spacers on the rear of the appliance at the bottom left and right.

10 Setting up the appliance



CAUTION

Risk of injury due to heavy appliance!

- ▶ Have two people transport the appliance to its installation site.



CAUTION

Risk of injury and damage!*

The door may strike the wall and be damaged as a result. In the case of glass doors, the damaged glass may cause injuries!

- ▶ Protect the glass door from striking against the wall. Fit a door stop, e.g. one made of felt, to the wall.
- ▶ A limiter restricting door opening to 90° can be ordered from the aftersales service.



WARNING

Risk of fire due to short circuit!

- ▶ When you set the appliance up: do not kink, jam or damage the mains cable.
- ▶ The appliance must not be operated with a defective mains cable.



WARNING

Fire hazard and danger of damage!

- ▶ Do not place appliances emitting heat e.g. microwaves, toasters etc. on the appliance!

Ensure that the following conditions are met:

- Only move the device when it is not loaded.
- Only install the appliance with help.
- ▶ Remove the mains cable from the package.
- ▶ Plug the mains cable's IEC socket completely into the appliance plug on the back of the appliance. Ensure that the IEC socket is tight.
- ▶ Use a cord to lay the mains plug to a freely accessible socket if required.

11 Setting up the appliance so that it is level

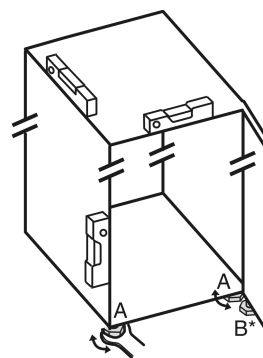


Fig. 6

- ▶ Unscrew the adjustable feet Fig. 6 (A) using the enclosed open-end spanner and a spirit level until the appliance is firmly aligned and level.



CAUTION

Risk of injury and damage due to the appliance tipping over! If the additional adjustable foot on the lower swap bearing block does not rest properly on the floor, the appliance may tip over. This can lead to property damage and injuries.

- ▶ Unscrew the additional adjustable foot on the swap bearing block as instructed.

- ▶ Unscrew the adjustable foot *Fig. 6 (B)* on the swap bearing block with the enclosed open-end spanner until it rests on the floor.
- ▶ Turn the adjustable foot *Fig. 6 (B)* 90° further.
- ▶ The appliance is aligned.

12 After setting up

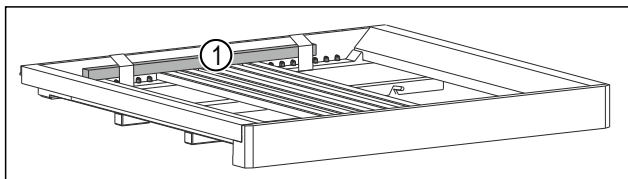


Fig. 7*

- ▶ Remove the wooden stick *Fig. 7 (1)*.*
- ▶ Remove all transport safety components.
- ▶ Take off the protective film from the exterior of the appliance.*
- ▶ Take off the protective film from the trim panels.*
- ▶ Take off the protective film from the trim panels and drawer fronts.*
- ▶ Take off the protective film from the stainless steel rear panel.*
- ▶ Clean the appliance. (see operating instructions)
- ▶ Note the type (model, number), appliance designation, appliance/serial number, purchase date and dealer's address.

13 Installing multiple appliances

The appliances have been developed for different installation methods. If you wish to install several appliances next to each other or on top of each other, ensure that the following requirements are met:

- Only install appliances next to or on top of each other if they have been developed for this.
- Observe notices and the following table.

NOTICE

Risk of damage due to condensate!

- ▶ Do not place the appliance directly next to another cooling/refrigeration unit.

Model	Installation method
All models	Standalone
Models with ^a model designation starting with S	Side-by-Side (SBS)

Model	Installation method
Models without side wall heating	<p>Next to each other: Install with gap A of 70 mm between the appliances. If you do not comply with this gap, condensation will form on the side walls between the appliances.</p> <p>On an exterior wall: Install with gap A as with installation next to each other. If you do not comply with this gap, condensation may form on the appliance's side wall.</p>

Models and their installation method

Assemble the appliances according to the separate installation instructions.

14 Integrating the appliance into a kitchen unit

The appliance can be integrated into a kitchen unit. Please observe the following installation conditions:

- If you fit a stacking cabinet above the appliance, you must allow for a ventilation cross-section with the appropriate depth at the rear of the stacking cabinet.
- If you place the appliance with the hinges next to a wall, you must take the distance to the side of the appliance into account.
- To ensure that the door can be opened fully, the appliance must protrude beyond the front thickness. Depending on the niche depth, the appliance may protrude further.

Note

A set for limiting the door opening angle to 90° can be obtained from customer service for appliances with soft closing.*



WARNING

Risk of fire due to short circuit!

- ▶ When you set the appliance up: do not kink, jam or damage the mains cable.
- ▶ The appliance must not be operated with a defective mains cable.

Ensure that the following requirements are met:

- The socket is easily accessible and is not behind the appliance.

Disposing of packaging

- ❑ Ventilation requirements are met. (see 4 Ventilation requirements).
- ❑ Connection dimensions are taken into account. (see 20 Connecting the appliance to the power supply)
- ❑ Wall spacers are fitted.*

* On devices with wall spacer brackets, this dimension increases by 15 mm.*

14.1 Niche dimensions for appliances with recessed handles*

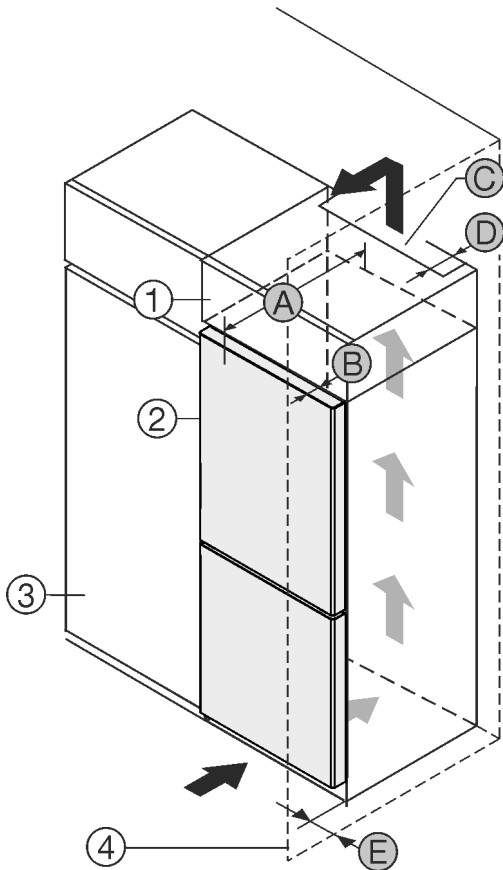


Fig. 8
(1) Top Unit
(2) Appliance
(3) Kitchen cupboard
(4) Wall
(A) Appliance depth
(B) Door depth
(C) Ventilation cross-section
(D) Distance from rear of the appliance
(E) Distance to the side of the appliance

Appliances with a recessed grip:	
A	675 mm ^x
B	75 mm
C	min. 300 cm ²
D	min. 50 mm
E	min. 13 mm

Appliances with recessed handle and glass front / stone front:	
A	682 mm ^x
B	82 mm
C	min. 300 cm ²
D	min. 50 mm
E	min. 20 mm

14.2 Niche dimensions for appliances with lever handle*

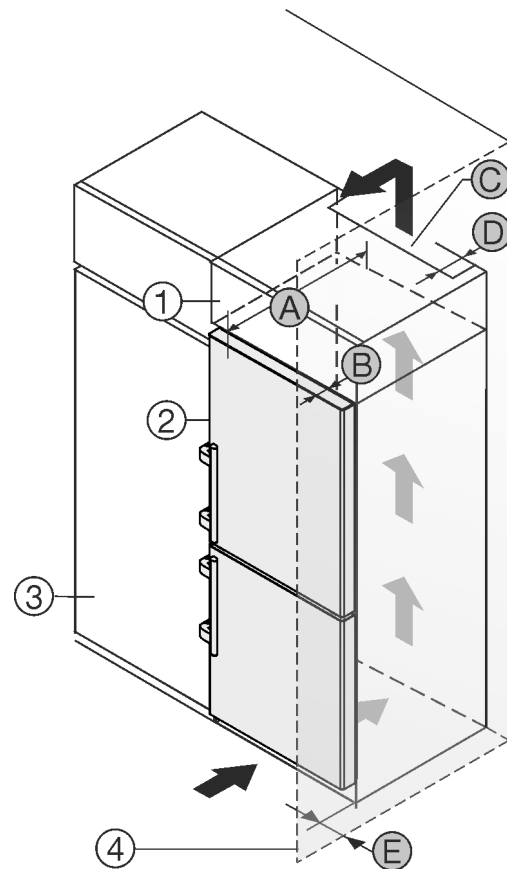


Fig. 9
(1) Top Unit
(2) Appliance
(3) Kitchen cupboard
(4) Wall
(A) Appliance depth
(B) Door depth
(C) Ventilation cross-section
(D) Distance from rear of the appliance
(E) Distance to the side of the appliance

Dimensions with lever handle:*	
A	675 mm ^x
B	75 mm
C	min. 300 cm ²
D	min. 50 mm
E	min. 57 mm

* On devices with wall spacer brackets, this dimension increases by 15 mm.*

15 Disposing of packaging



WARNING

Danger of suffocation due to packing material and plastic film!

▶ Do not allow children to play with packing material.

The packaging is made of recyclable materials:

- corrugated board/cardboard

- expanded polystyrene parts
- polythene bags and sheets
- polypropylene straps
- nailed wooden frame with polyethylene panel*
- ▶ Take the packaging material to an official collecting point.

16 Door hinge change

Tools

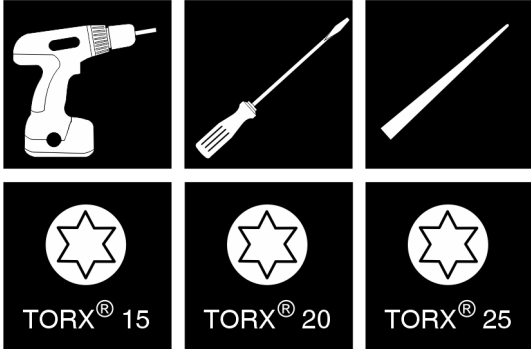


Fig. 10

NOTICE

Risk of damage due to door collision!
Damage to the appliances with Side-by-Side positioning. If you set up two appliances next to each other in a specific Side-by-Side arrangement, the door hinge of both appliances is preset at the factory.

- ▶ Side-by-Side positioning: Do not change the door hinge.

These sections apply for appliances **with a soft stop mechanism**.*

- For appliances **with** a soft stop mechanism
- For all appliances

These sections apply for appliances **without a soft stop mechanism**.*

- For appliances **without** a soft stop mechanism
- For all appliances

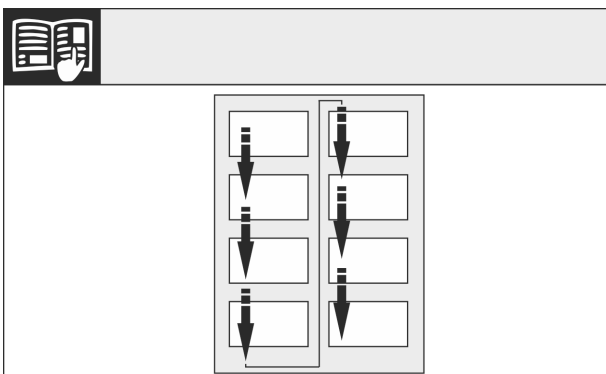


Fig. 11

Remember the reading direction.

16.1 Removing the upper soft stop mechanism*

For appliances with a soft stop mechanism.*

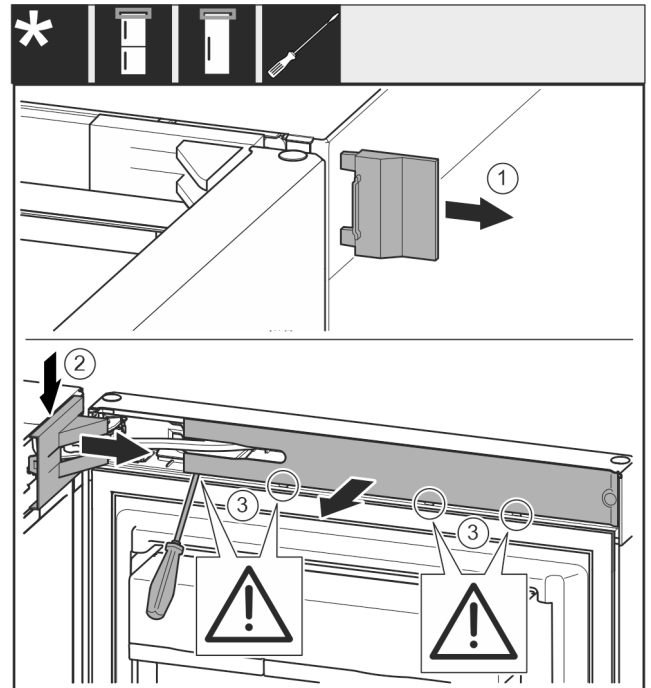


Fig. 12

- ▶ Open the top door.

NOTICE

Risk of damage from screwdrivers!
If you damage the door seal, the door will not close properly resulting in inadequate cooling.

- ▶ Use a screwdriver carefully as an aid.
- ▶ Do not damage the door seal with the screwdriver.

- ▶ Remove cover Fig. 12 (1).
- ▶ Disengage and loosen the swap bearing block cover Fig. 12 (2).
- ▶ Remove the swap bearing block cover Fig. 12 (2).
- ▶ Use a slotted screwdriver to unlatch the trim Fig. 12 (3) and swing it to the side.

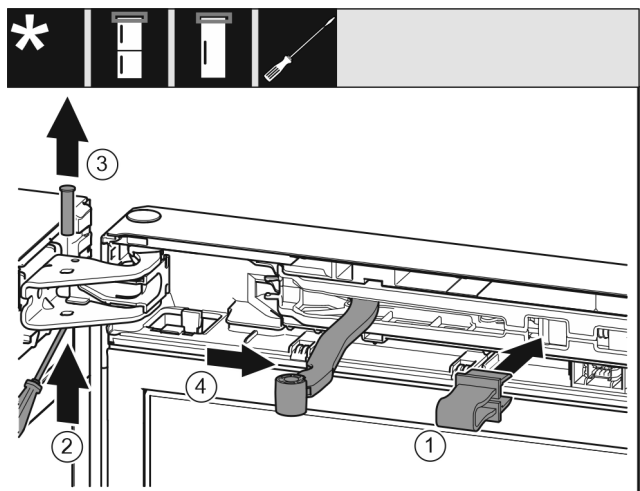


Fig. 13

CAUTION

Crushing hazard by joint folding up!

- ▶ Engage safety device.

- ▶ Latch safeguard Fig. 13 (1) into opening.
- ▶ Slide out the bolt Fig. 13 (2).
- ▶ Remove the bolt Fig. 13 (3) upwards.
- ▶ Turn the joint Fig. 13 (4) towards the door.

Door hinge change

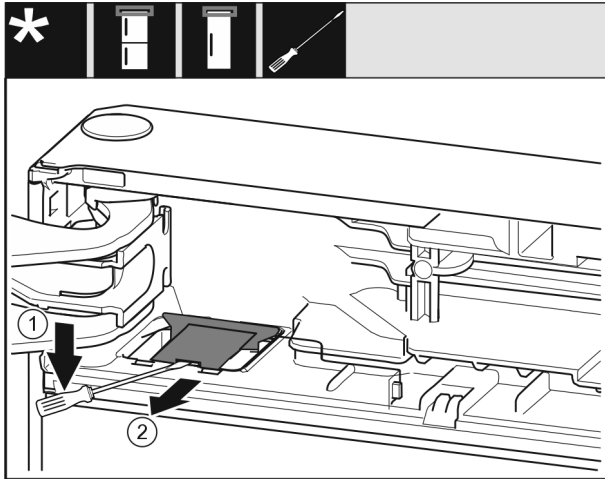


Fig. 14

- ▶ Use a flat-blade screwdriver to disengage the cover Fig. 14 (1).
- ▶ Remove the cover Fig. 14 (2).

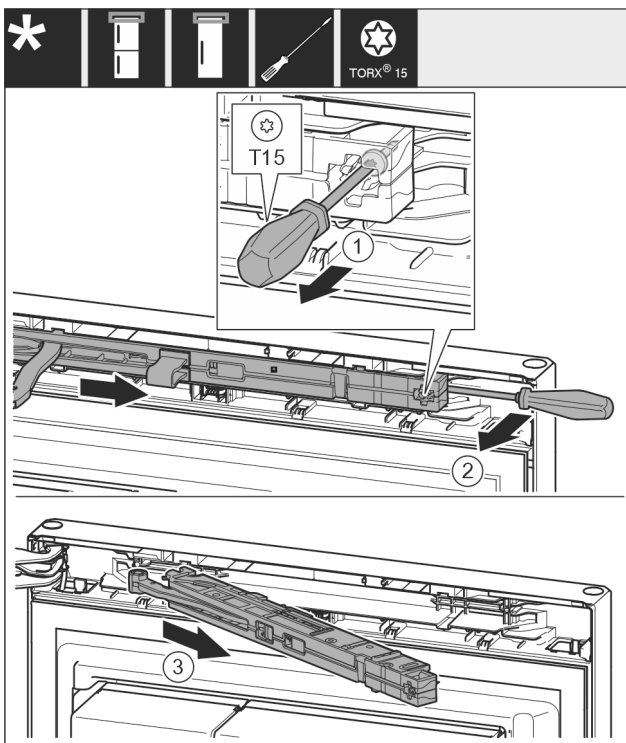


Fig. 15

- ▶ Use screwdriver to loosen the screw Fig. 15 (1) on the closing damper unit by 14 mm.
- ▶ Lever the closing damper unit Fig. 15 (2) forwards on the handle side using a screwdriver.
- ▶ Pull out the closing damper unit Fig. 15 (3).

For 750 mm wide appliances:*

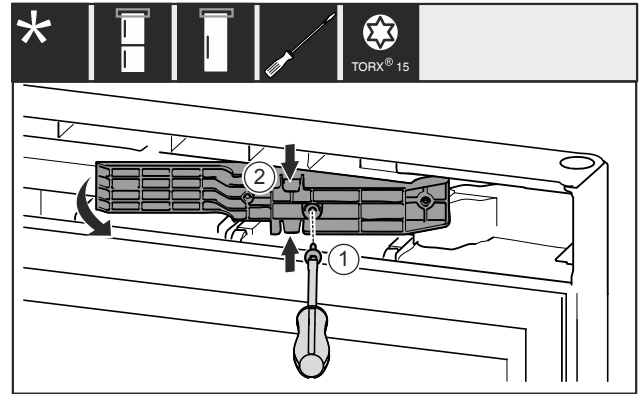


Fig. 16 *

- ▶ Remove the screw Fig. 16 (1)*
- ▶ Gently press the adapter piece Fig. 16 (2) together at the top and bottom and pull it out.*

16.2 Removing the bottom soft stop mechanism*

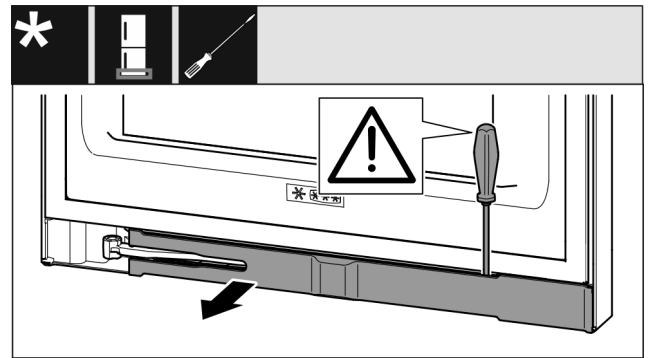


Fig. 17

- ▶ Open the bottom door.

NOTICE

Risk of damage from screwdrivers!

If you damage the door seal, the door will not close properly resulting in inadequate cooling.

- ▶ Use a screwdriver carefully as an aid.
- ▶ Do not damage the door seal with the screwdriver.
- ▶ Use a slotted screwdriver to unlatch the trim and swing it to the side. (see Fig. 17)

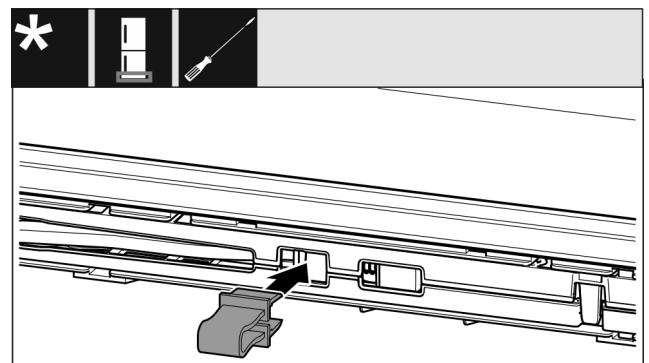


Fig. 18



CAUTION

Crushing hazard by joint folding up!

- ▶ Engage safety device.

- ▶ Latch safeguard into opening. (see Fig. 18)

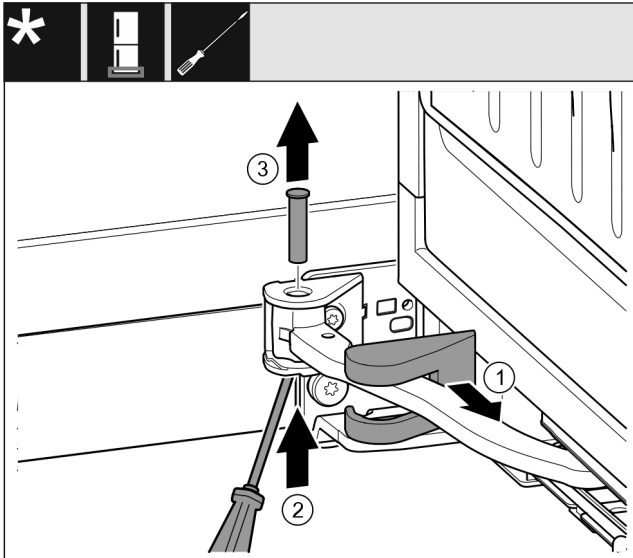


Fig. 19

- ▶ Remove the swap bearing block cover Fig. 19 (1) and slide along the joint.
- ▶ Use a screwdriver to lift the bolt Fig. 19 (2) from below.
- ▶ Pull out the bolt Fig. 19 (3) from above.

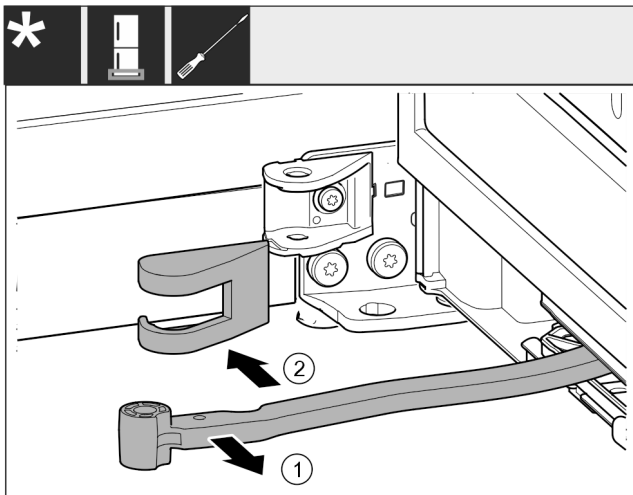


Fig. 20

- ▶ Turn the joint Fig. 20 (1) towards the door.
- ▶ Remove the swap bearing block cover Fig. 20 (2).

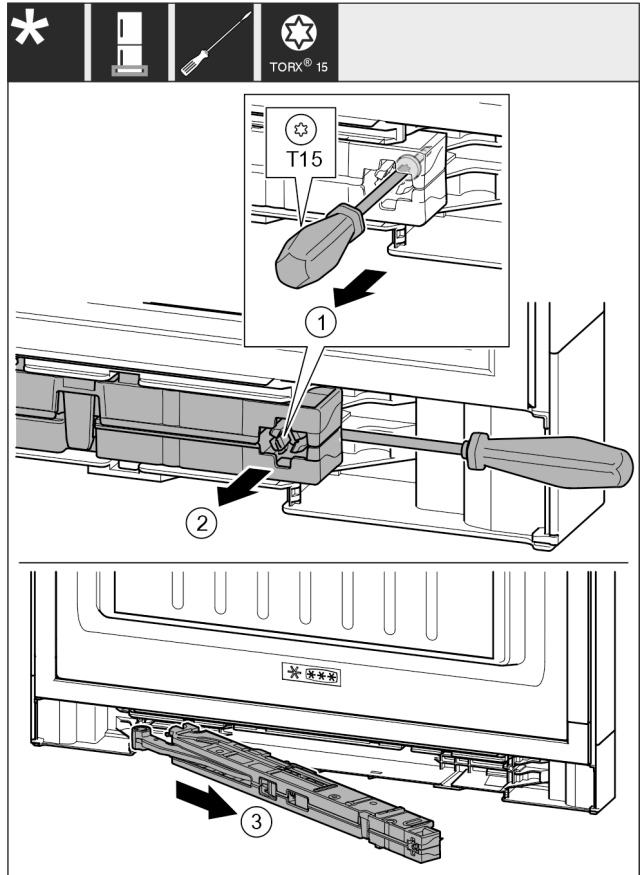


Fig. 21

- ▶ Use screwdriver to loosen the screw Fig. 21 (1) on the closing damper unit by 14 mm.
- ▶ Lever the closing damper unit Fig. 21 (2) forwards on the handle side using a screwdriver.
- ▶ Pull out the closing damper unit Fig. 21 (3).
- ▶ Place the soft stop mechanism to one side.

For 700 and 750 mm wide appliances:*

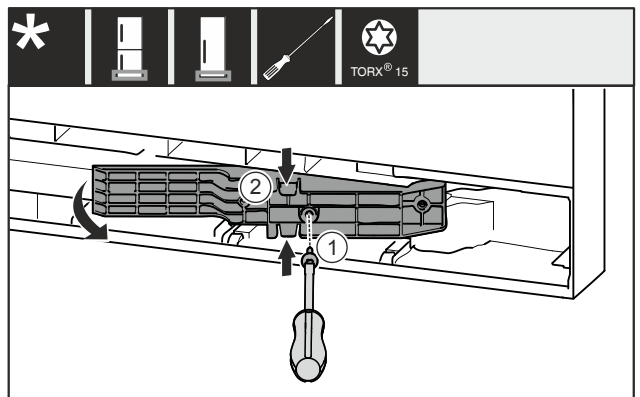


Fig. 22 *

- ▶ Remove the screw Fig. 22 (1)*
- ▶ Gently press the adapter piece Fig. 22 (2) together at the top and bottom and pull it out.*

Door hinge change

16.3 Undoing the cable connection*

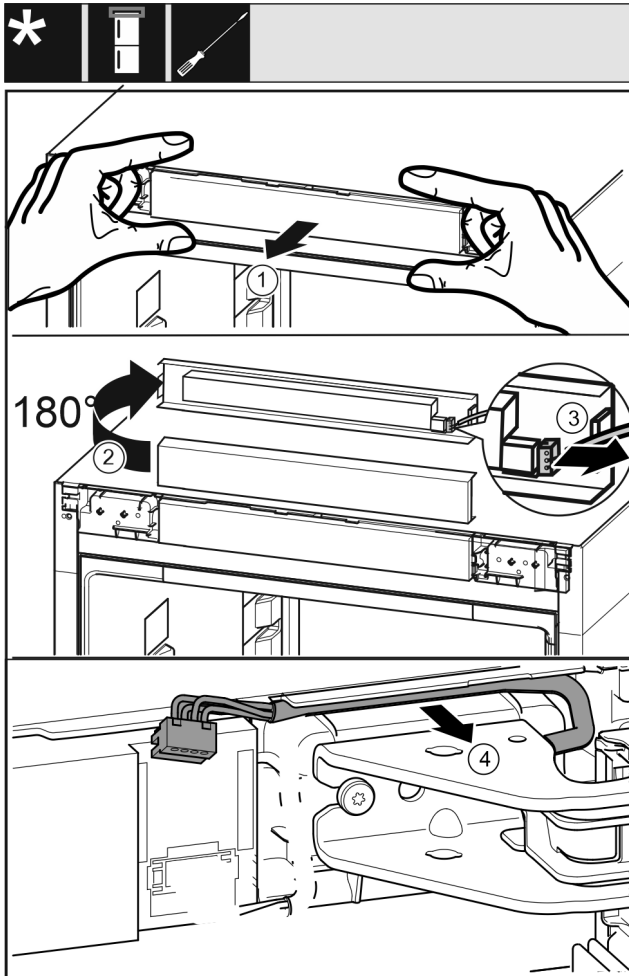


Fig. 23

- ▶ Carefully release the control panel trim Fig. 23 (1) forwards.
- ▶ Turn the control panel trim Fig. 23 (2) upwards by 180°.
- ▶ Push the locking tab Fig. 23 (3) backwards and remove the plug carefully.
- ▶ Release the cable over the swap bearing block Fig. 23 (4) from the guide carefully.

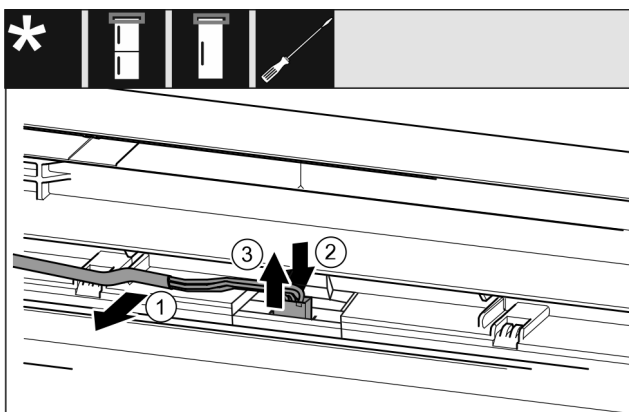


Fig. 24 Fridge/freezer combinations / freezers / refrigerators*

- ▶ Release the cable Fig. 24 (1) from the guide in the door carefully.*
- ▶ Push the tab Fig. 24 (2) behind the plug backwards.*
- ▶ Pull the plug Fig. 24 (3) out upwards carefully.*

-or-

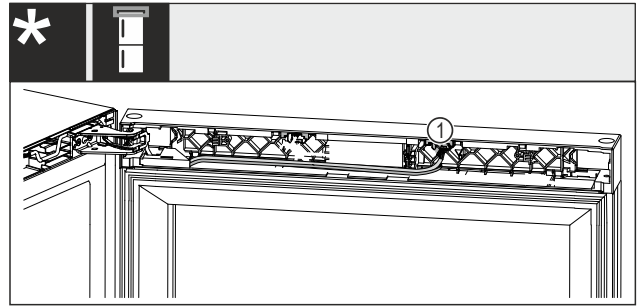


Fig. 25 Wine-freezer combinations*

NOTICE

Risk of damage due to interrupted power supply!*
Damaged door lighting or operating electronics.

- ▶ Do not pull out the end of the cable that is built into the door.

- ▶ Pull the plug Fig. 25 (1) out of the retaining clip.*

For all appliances:

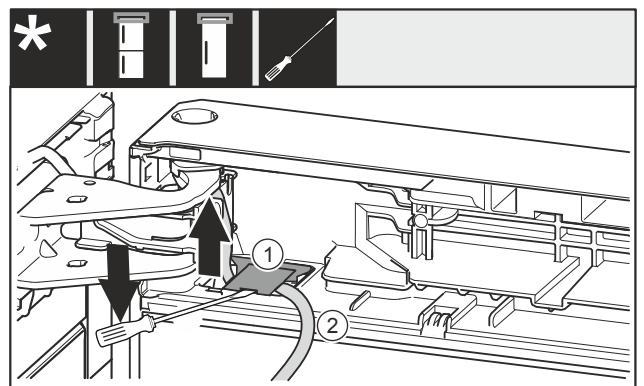


Fig. 26

- ▶ Use the slotted screwdriver to lift the cover Fig. 26 (1) up and pull it out.
- ▶ Pull out the cable Fig. 26 (2).

16.4 Empty door racks

- ▶ Remove food from the door racks.
- ▶ Food does not fall out of the door when you remove the door.

16.5 Appliances without closing damper: Removing covers*

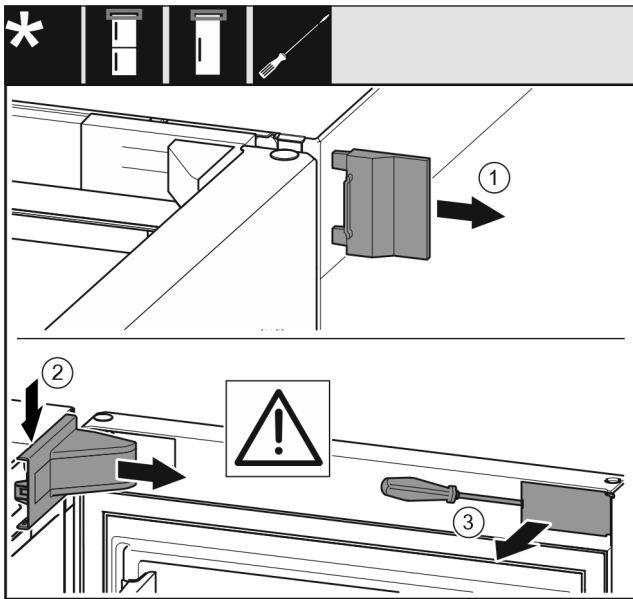


Fig. 27

- ▶ Open the door.
- ▶ Remove the outer cover (1).
- ▶ Disengage and remove the swap bearing block cover (2).

NOTICE

Risk of damage from screwdrivers!
If you damage the door seal, the door will not close properly resulting in inadequate cooling.

- ▶ Use a screwdriver carefully as an aid.
 - ▶ Do not damage the door seal with the screwdriver.
-
- ▶ Use a screwdriver to disengage the cover (3) on the outside of the door and swivel it to the side.

16.6 Removing the upper door*

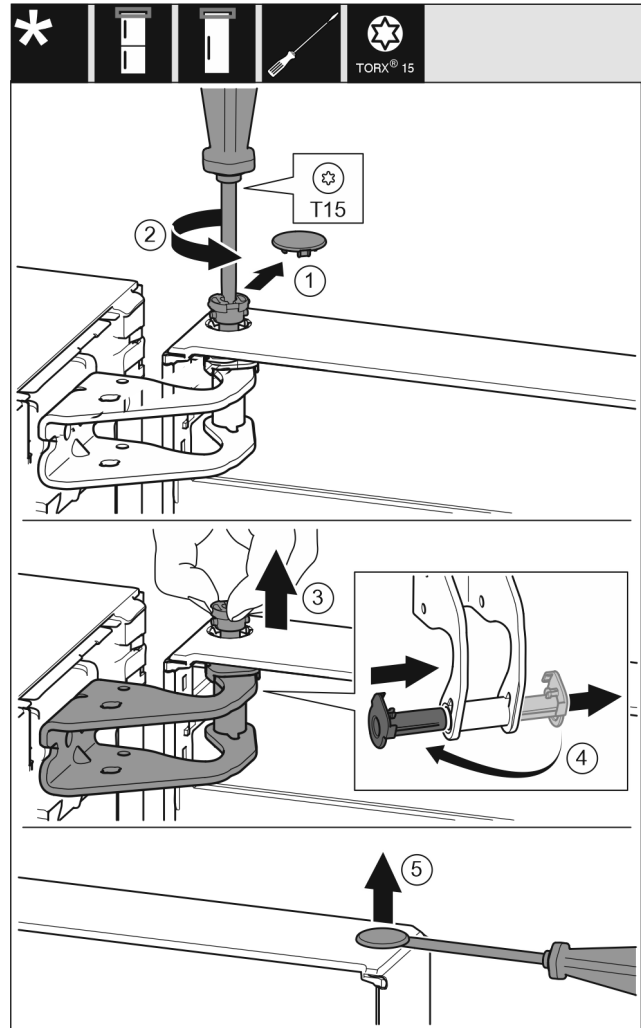


Fig. 28

- ▶ Carefully remove the cover (1).
- ▶ Use screwdriver to loosen the bolts (2) a little.



CAUTION

Danger of injury due to door tipping out!
If you remove the bolt on the door completely, the door may tilt out and you may injure yourself.

- ▶ Hold the door firmly before removing the bolt.
-
- ▶ Hold door in place.
 - ▶ Pull out the bolt (3) with your fingers.
 - ▶ Pull the bearing bush (4) out of the guide.
 - ▶ Insert the bearing bush (4) on the other side and engage.
 - ▶ Lift the door and put it to one side.
 - ▶ Carefully lift and remove the cover (5) with a screwdriver.

Door hinge change

16.7 Removing the upper door*

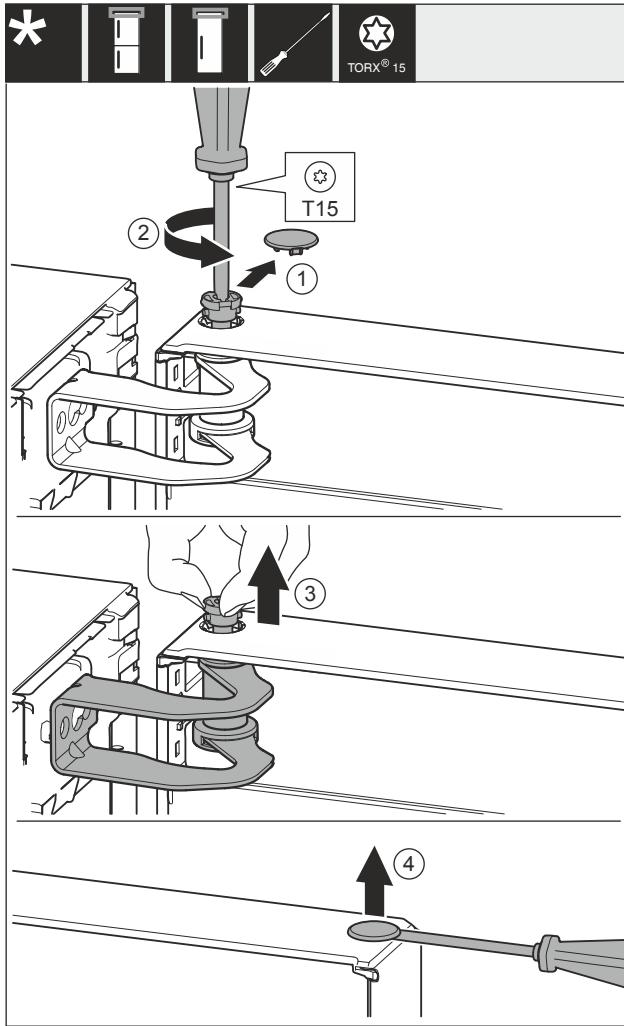


Fig. 29

- ▶ Carefully remove the cover Fig. 29 (1).
- ▶ Use screwdriver to loosen the bolts Fig. 29 (2) a little.



CAUTION

Danger of injury due to door tipping out!
If you remove the bolt on the door completely, the door may tilt out and you may injure yourself.

- ▶ Hold the door firmly before removing the bolt.
- ▶ Hold door in place.
- ▶ Pull out the bolt Fig. 29 (3) with your fingers.
- ▶ Lift the door and put it to one side.
- ▶ Carefully lift and remove the cover Fig. 29 (4) with a screwdriver.

16.8 Removing the upper door*

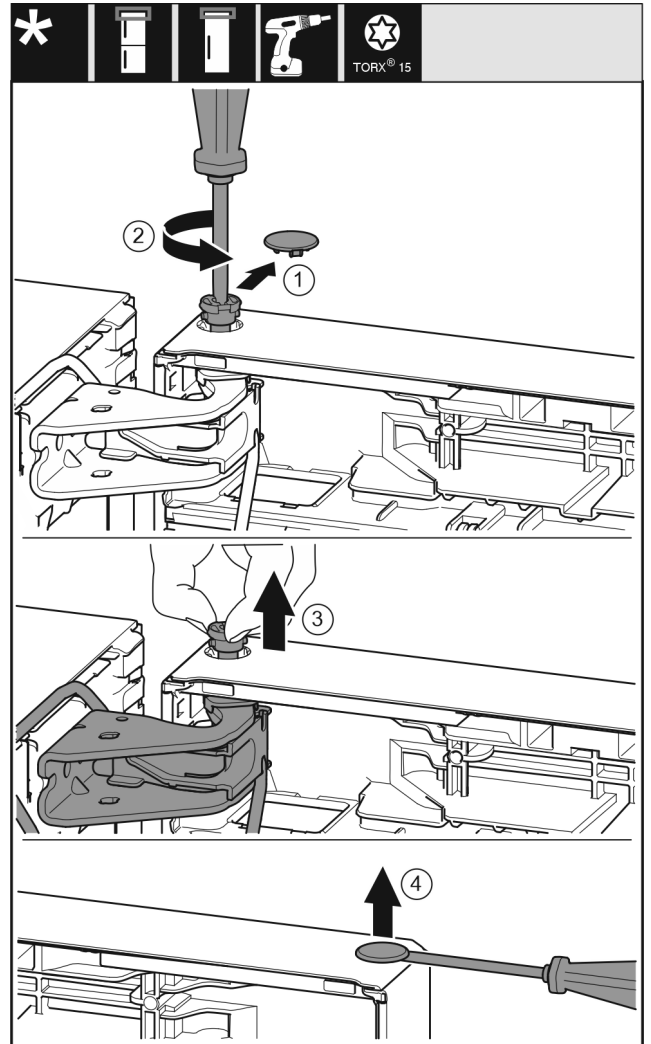


Fig. 30

- ▶ Carefully remove the cover (1).
- ▶ Use screwdriver to loosen the bolts (2) a little.



CAUTION

Danger of injury due to door tipping out!
If you remove the bolt on the door completely, the door may tilt out and you may injure yourself.

- ▶ Hold the door firmly before removing the bolt.
- ▶ Hold door in place.
- ▶ Pull out the bolt (3) with your fingers.
- ▶ Lift the door and put it to one side.
- ▶ Carefully lift and remove the cover (4) with a screwdriver.

16.9 Removing the lower door



CAUTION

Danger of injury due to door tipping out!
If you remove the bolt on the door completely, the door may tilt out and you may injure yourself.

- ▶ Hold the door firmly before removing the bolt.

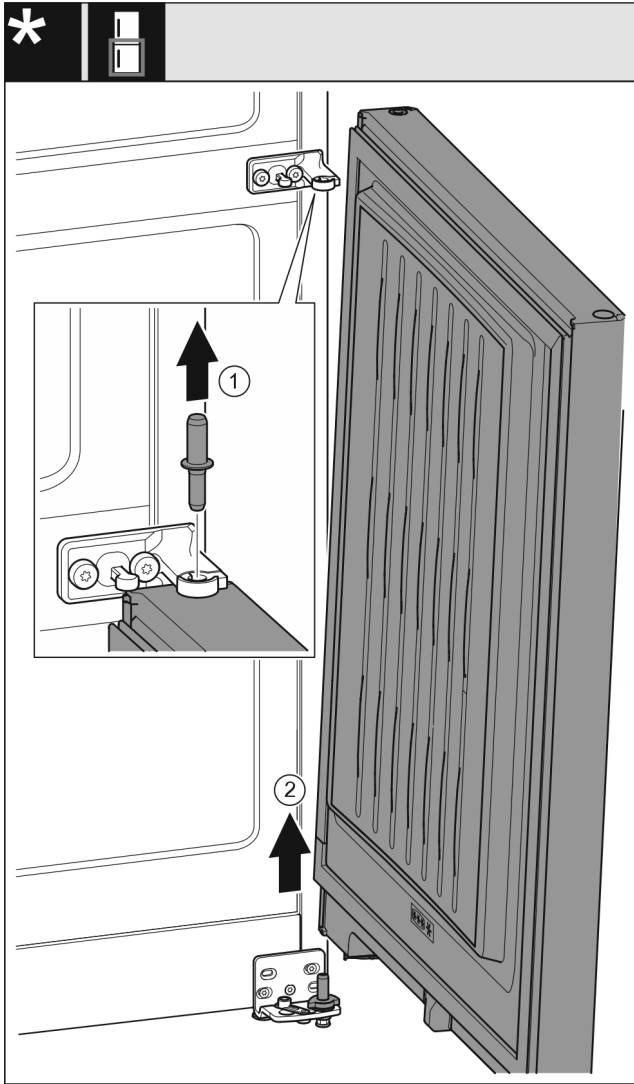


Fig. 31 Without closing damper*

- ▶ Pull out the bolt Fig. 31 (1) upwards.*
- ▶ Swing out the door Fig. 31 (2), pull it upwards and set it aside.*

-or-

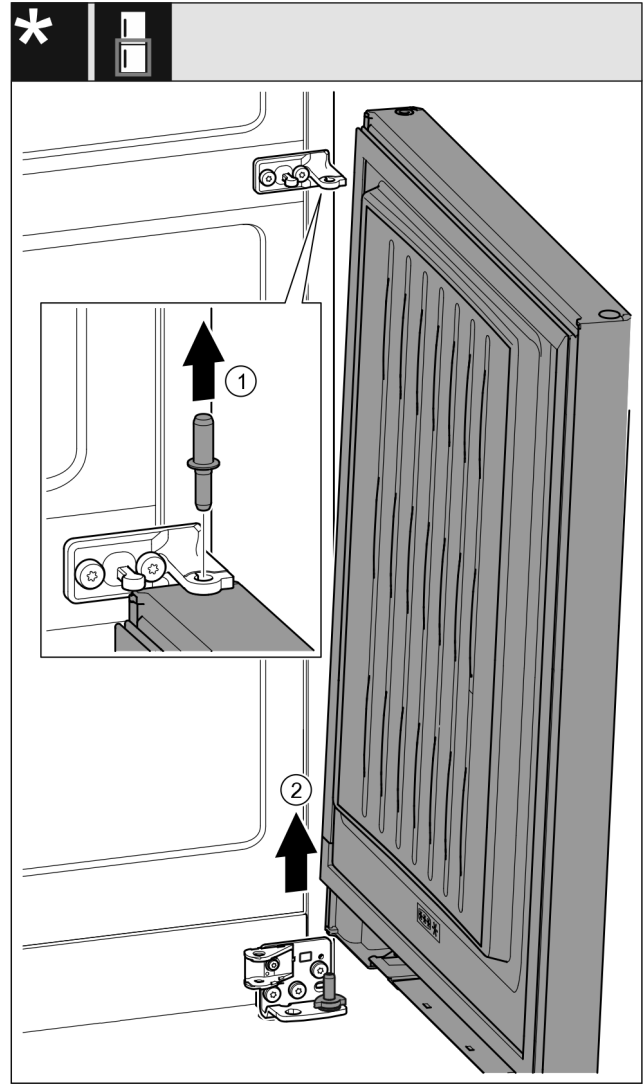


Fig. 32 With closing damper*

- ▶ Pull out the bolt Fig. 32 (1) upwards.*
- ▶ Swing out the door Fig. 32 (2), pull it upwards and set it aside.*

16.10 Relocating the upper bearing components*

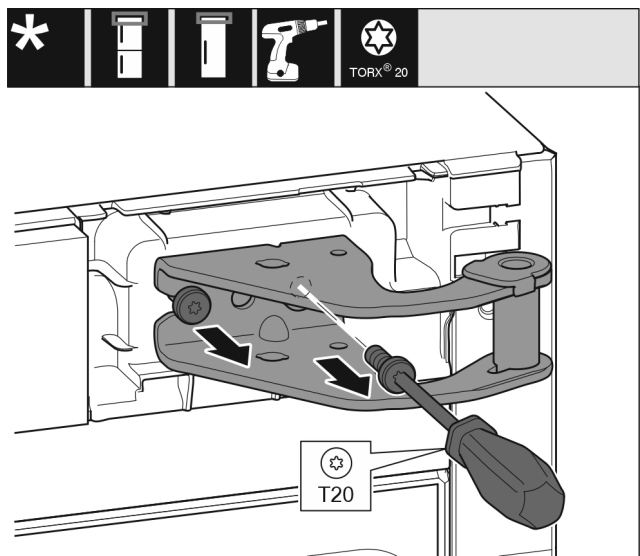


Fig. 33

Door hinge change

- ▶ Unscrew the screws.
- ▶ Lift and remove the swap bearing block.



WARNING

Danger of injury due to door falling out!

If the bearing parts are not screwed on tightly enough, the door may fall out. This can result in serious injuries. In addition, the door may not close with the result that the appliance does not cool properly.

- ▶ Screw on the bearing brackets/bearing pins tightly with 4 Nm.
- ▶ Check all screws and retighten them if necessary.

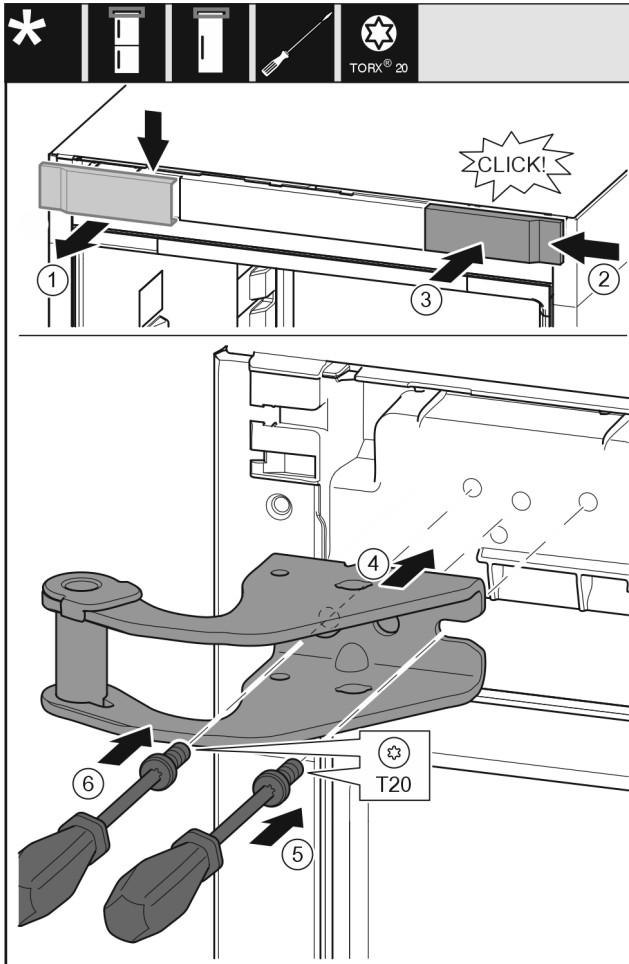


Fig. 34

- ▶ Remove the cover (1) from above towards the front.
- ▶ Turn the cover (2) by 180° and attach to the other side from the right.
- ▶ Engage the cover (3).
- ▶ Place the top swap bearing block (4).
- ▶ Screw the screw (5) tight.
- ▶ Screw the screw (6) tight.

16.11 Relocating the upper bearing components*

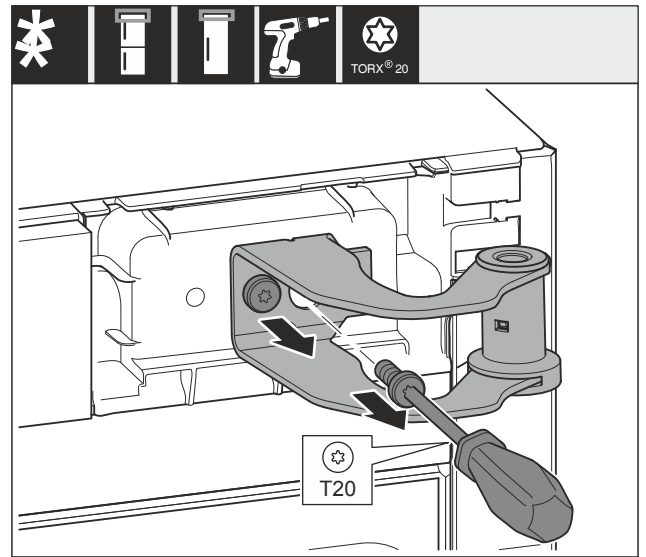


Fig. 35

- ▶ Unscrew both screws.
- ▶ Lift and remove the swap bearing block.



WARNING

Danger of injury due to door falling out!

If the bearing parts are not screwed on tightly enough, the door may fall out. This can result in serious injuries. In addition, the door may not close with the result that the appliance does not cool properly.

- ▶ Screw on the bearing brackets/bearing pins tightly with 4 Nm.
- ▶ Check all screws and retighten them if necessary.

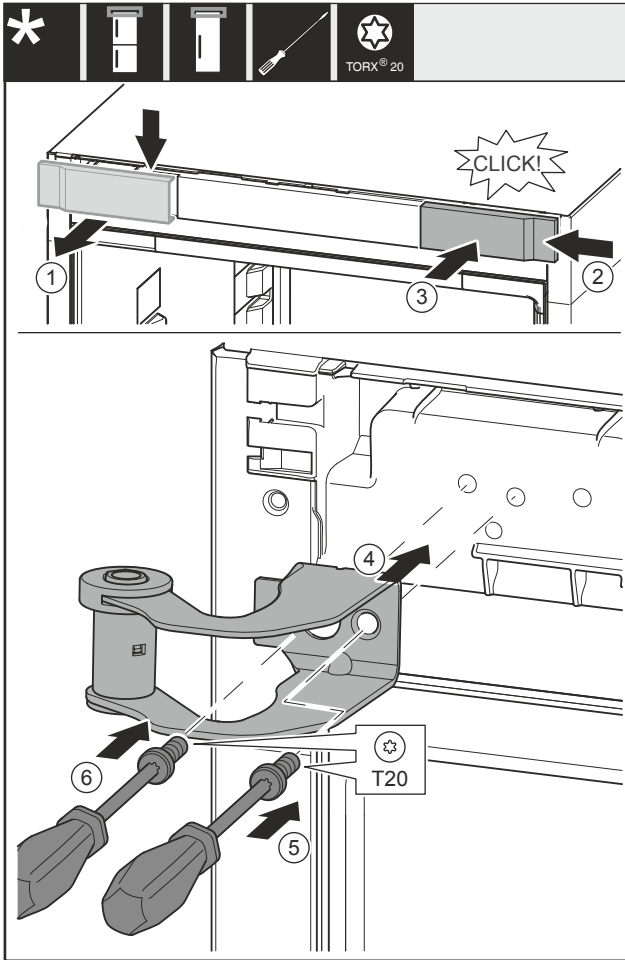


Fig. 36

- ▶ Remove the cover Fig. 36 (1) from above towards the front.
- ▶ Turn the cover Fig. 36 (2) by 180° and attach to the other side from the right.
- ▶ Engage the cover Fig. 36 (3).
- ▶ Place the top swap bearing block Fig. 36 (4).
- ▶ Screw the screw Fig. 36 (5) tight.
- ▶ Screw the screw Fig. 36 (6) tight.

16.12 Relocating the upper bearing components*

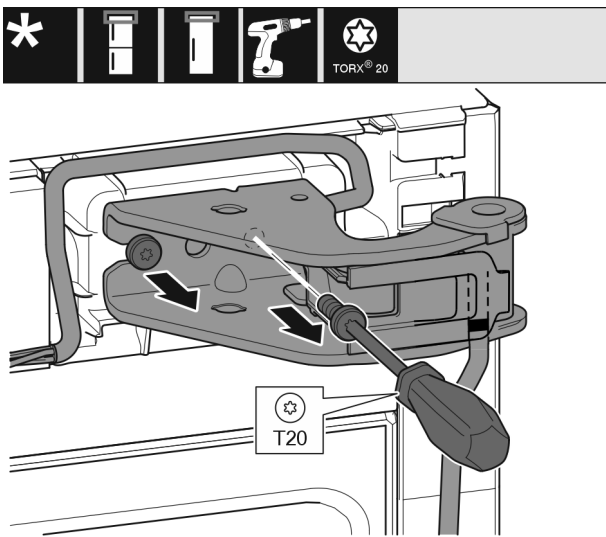


Fig. 37

- ▶ Unscrew both screws.

- ▶ Lift and remove the swap bearing block and the cable.

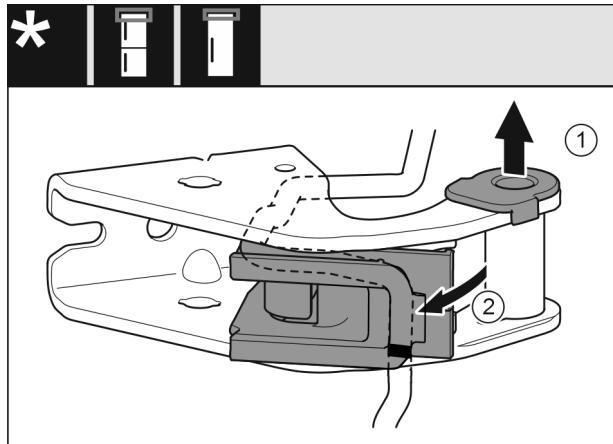


Fig. 38

- ▶ Pull the bearing bush (1) out of the guide.
- ▶ Swivel out the cable holder (2).

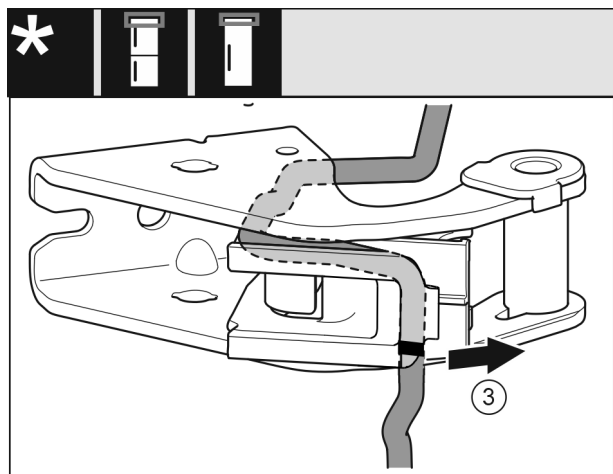


Fig. 39

- ▶ Remove the cable with the cable holder (3) from the swap bearing block.

NOTICE

Risk of damage due to incorrect cable routing!
If you do not lay the cable in accordance with the instructions, the cable may be crushed.

- ▶ Observe the markings on the cable.

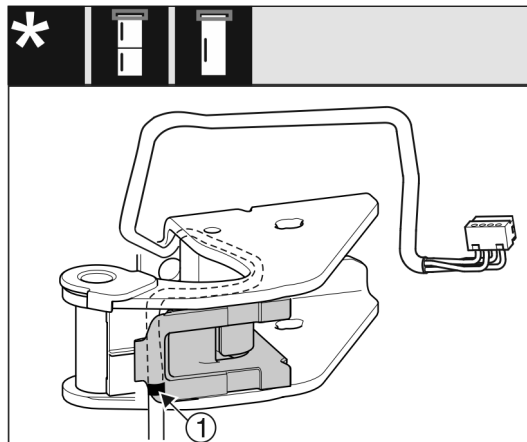


Fig. 40

- ▶ Insert the cable into the top groove in the cable holder inversely.
- ▶ Place the centre mark (1) on the cable on the edge of the cable holder.
- ▶ Swivel the cable holder in.

Door hinge change

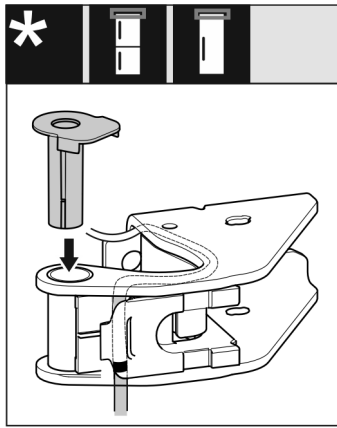


Fig. 41

- ▶ Insert the bearing bush from the other side and engage.



WARNING

Danger of injury due to door falling out!

If the bearing parts are not screwed on tightly enough, the door may fall out. This can result in serious injuries. In addition, the door may not close with the result that the appliance does not cool properly.

- ▶ Screw on the bearing brackets/bearing pins tightly with 4 Nm.
- ▶ Check all screws and retighten them if necessary.

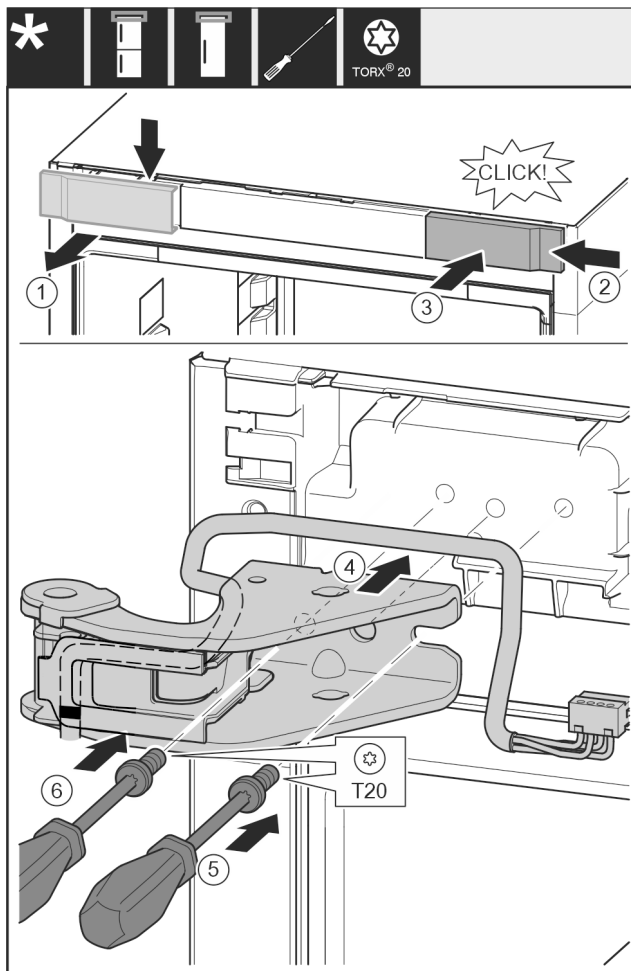


Fig. 42

- ▶ Remove the cover (1) from above towards the front.
- ▶ Turn the cover (2) by 180° and attach to the other side from the right.
- ▶ Engage the cover (3).
- ▶ Attach upper swap bearing block (4) with cable.

- ▶ Screw the screw (5) tight.
- ▶ Screw the screw (6) tight.

16.13 Moving the central bearing parts to the other side



WARNING

Danger of injury due to door falling out!

If the bearing parts are not screwed on tightly enough, the door may fall out. This can result in serious injuries. In addition, the door may not close with the result that the appliance does not cool properly.

- ▶ Screw on the bearing brackets/bearing pins tightly with 4 Nm.
- ▶ Check all screws and retighten them if necessary.

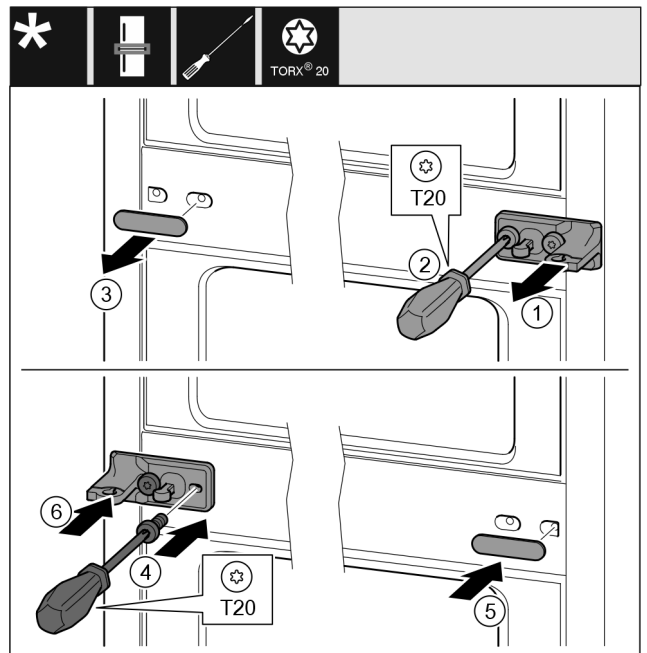


Fig. 43

- ▶ Remove the washer Fig. 43 (1).
- ▶ Unscrew screws Fig. 43 (2) with screwdriver.
- ▶ Remove the cover Fig. 43 (3) carefully.
- ▶ Turn the bearing block with film Fig. 43 (4) by 180° and screw it tight on the other side.
- ▶ Turn the cover Fig. 43 (5) by 180° and attach to the other side.
- ▶ Slide on the washer Fig. 43 (6) from the front.

16.14 Moving the lower bearing parts to the other side

For all appliances:



WARNING

Danger of injury due to door falling out!

If the bearing parts are not screwed on tightly enough, the door may fall out. This can result in serious injuries. In addition, the door may not close with the result that the appliance does not cool properly.

- ▶ Screw on the bearing brackets/bearing pins tightly with 4 Nm.
- ▶ Check all screws and retighten them if necessary.

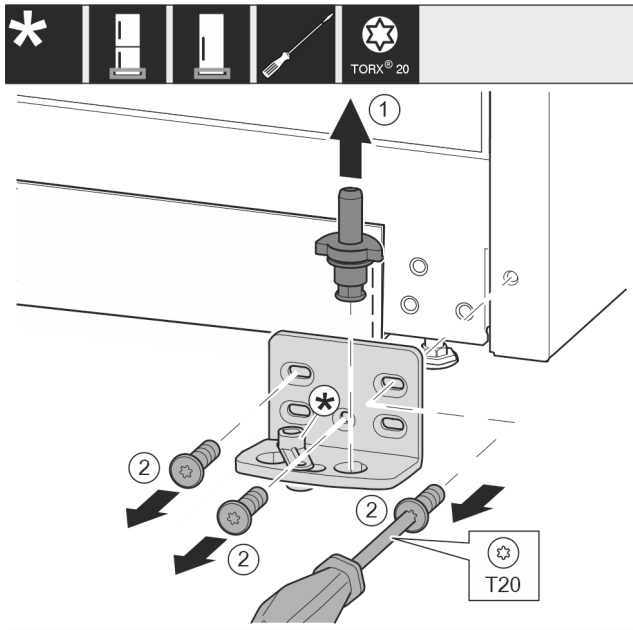


Fig. 44 *

- ▶ Pull the bearing bolt Fig. 44 (1) out upwards completely.*
- ▶ Use screwdriver to unscrew the screws Fig. 44 (2) and remove the swap bearing block.*

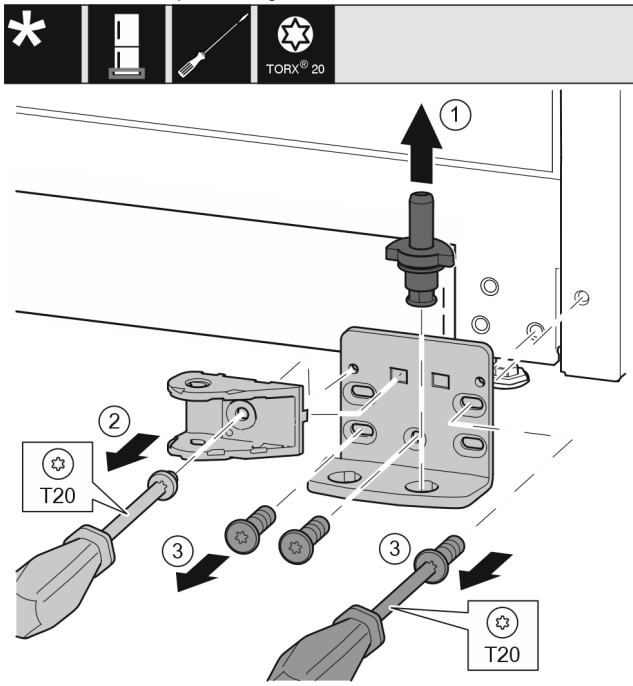


Fig. 45 *

- ▶ Pull the bearing bolt Fig. 45 (1) out upwards completely.*
- ▶ Use screwdriver to unscrew the screw Fig. 45 (2) and remove the closing damper connection.*
- ▶ Use screwdriver to unscrew the screws Fig. 45 (3) and remove the swap bearing block.*

For appliances without a soft stop:*

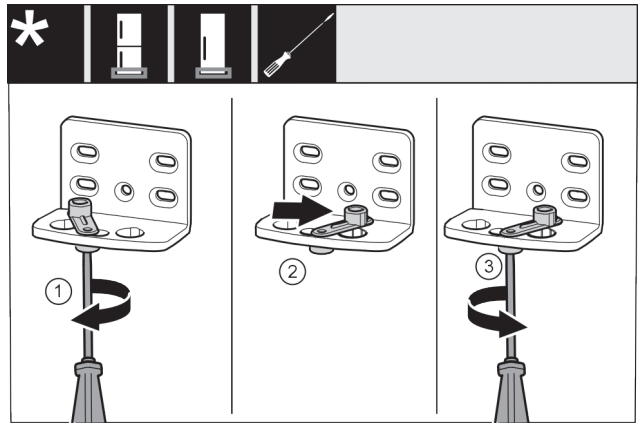


Fig. 46 *

- ▶ Use screwdriver to loosen the screw Fig. 46 (1).*
- ▶ Lift the door closing aid Fig. 46 (2) and turn 90° clockwise in the hole.*
- ▶ Tighten screw Fig. 46 (3) with screwdriver.*

For all appliances:

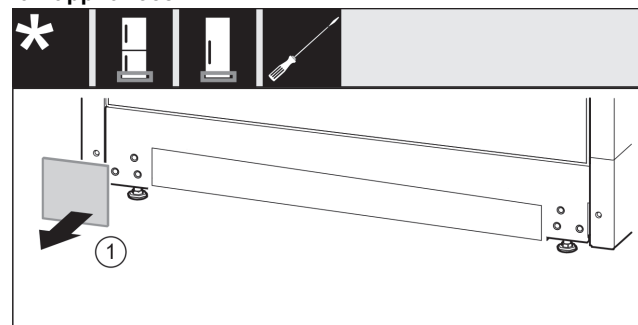


Fig. 47

- ▶ Remove cover Fig. 47 (1).

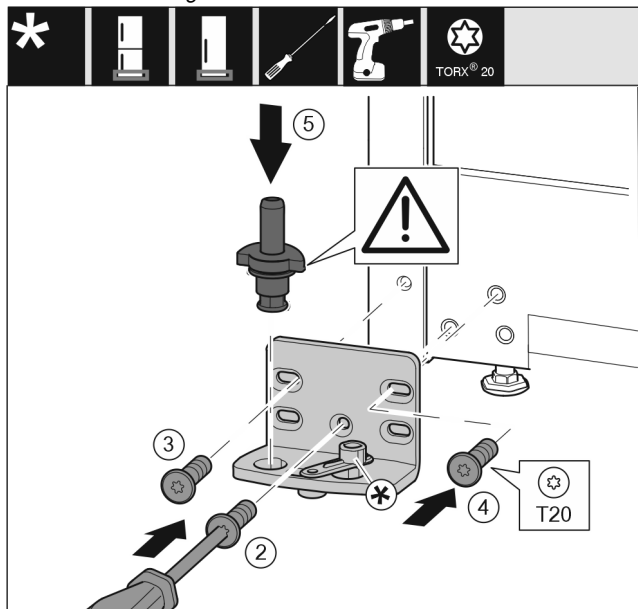


Fig. 48 *

- ▶ Place the swap bearing block on the other side and use a screwdriver to screw it on. Start with the screw Fig. 48 (2) at the bottom in the middle.*
- ▶ Tighten screw Fig. 48 (3) and screw Fig. 48 (4).*
- ▶ Insert the bearing bolt Fig. 48 (5) completely. Ensure that the latching cam is pointing towards the rear.*

Door hinge change

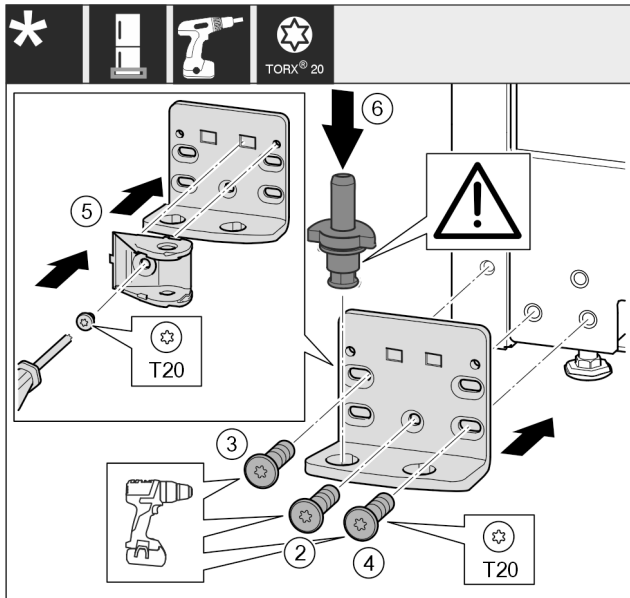


Fig. 49 *

- ▶ Place the swap bearing block on the other side and use a screwdriver to screw it on. Start with the screw Fig. 49 (2) at the bottom in the middle.*
- ▶ Tighten screw Fig. 49 (3) and screw Fig. 49 (4).*
- ▶ Turn the closing damper connection Fig. 49 (5) by 180°. Use screwdriver to screw it onto the other side of the swap bearing block.*
- ▶ Insert the bearing bolt Fig. 49 (6) completely. Ensure that the latching cam is pointing towards the rear.*

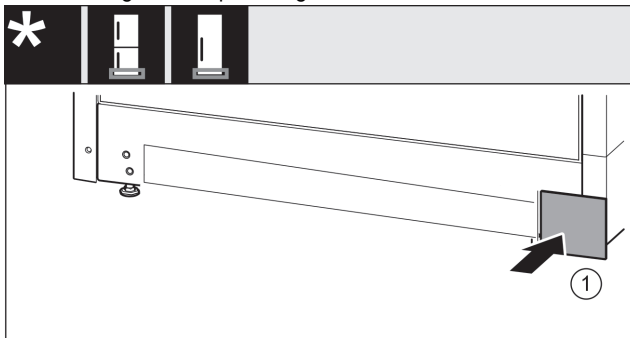


Fig. 50

- ▶ Re-attach the cover Fig. 50 (1) to the other side.

16.15 Moving the door bearing parts to the other side

For appliances without a soft stop:



WARNING

Danger of injury due to door falling out!*

If the bearing parts are not screwed on tightly enough, the door may fall out. This can result in serious injuries. In addition, the door may not close with the result that the appliance does not cool properly.

- ▶ Screw on the bearing brackets/bearing pins tightly with 4 Nm.
- ▶ Check all screws and retighten them if necessary.

Bottom of door*

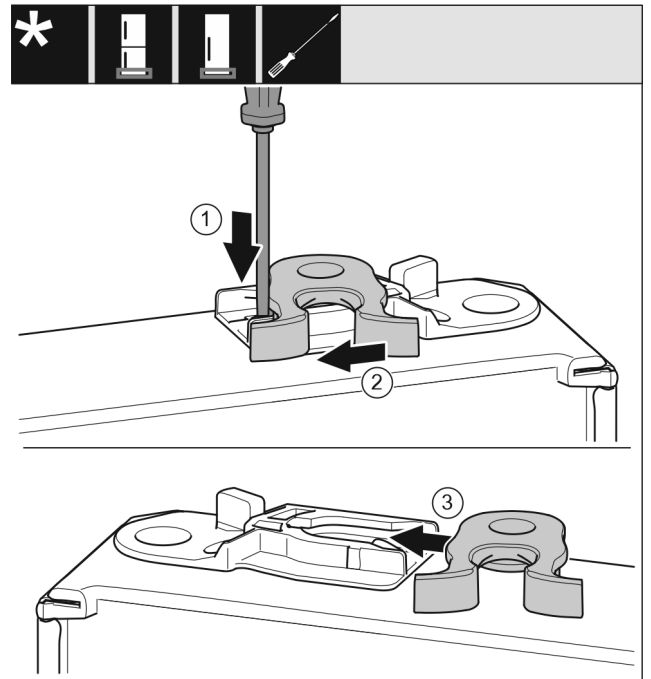


Fig. 51 *

- ▶ The bottom side of door faces upwards: Turn the door.*
- ▶ Use a slotted screwdriver to push the tab Fig. 51 (1) downwards.*
- ▶ Pull the closing hook Fig. 51 (2) out of the guide.*
- ▶ Insert the closing hook Fig. 51 (3) into the guide on the other side.*
- ▶ The upper side of door faces upwards: Turn the door.*

Top of door

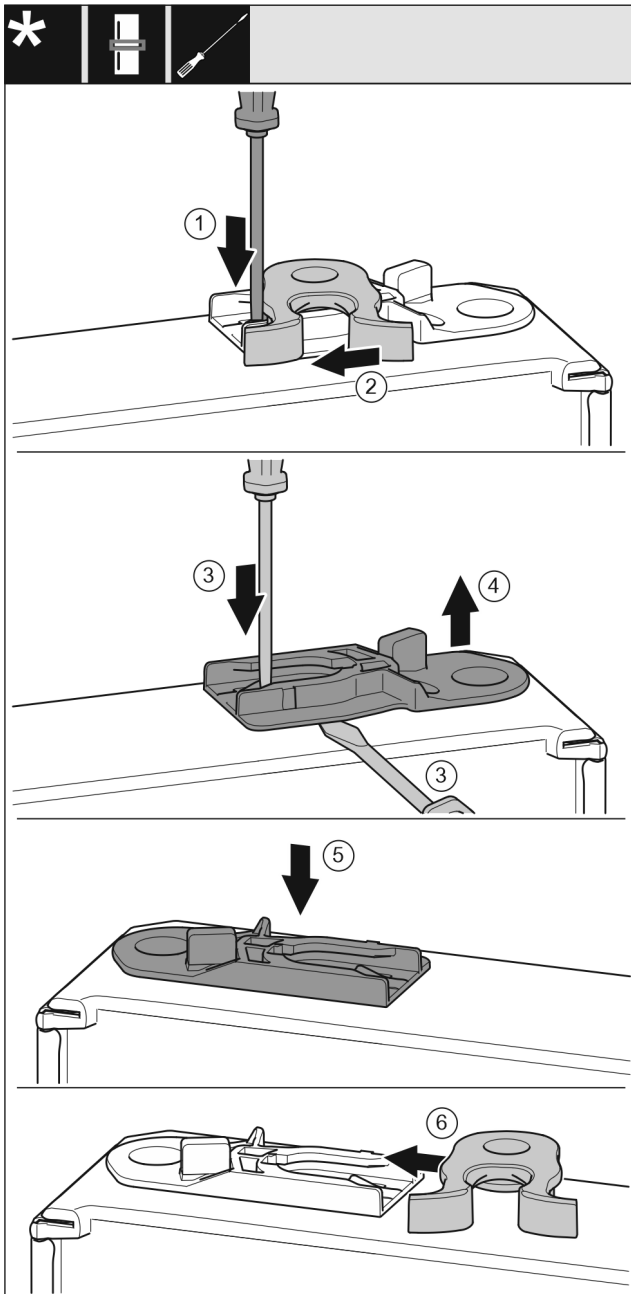


Fig. 52 *

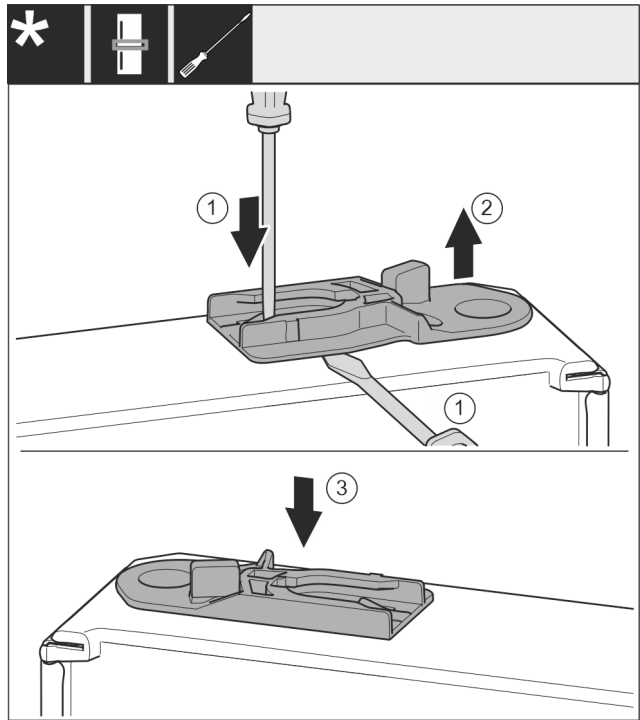


Fig. 53 *

- ▶ The bottom side of door faces upwards: Turn the door.
- ▶ Use a slotted screwdriver to push the tab Fig. 52 (1) downwards.*
- ▶ Pull the closing hook Fig. 52 (2) out of the guide.*
- ▶ Pull out the guide bush Fig. 52 (3, 4): Press the tab with a flat-blade screwdriver and at the same time move the flat-blade screwdriver under the guide bush.*
- ▶ Insert the guide bush Fig. 52 (5) supplied on the other side of the housing.*
- ▶ Appliances without closing damper:*
 - ▶ Slide the closing hook Fig. 52 (6) into the guide.*
- ▶ Appliances with closing damper:*
 - ▶ Pull out the guide bush: Press the tab Fig. 53 (1) with a flat-blade screwdriver and at the same time move the flat-blade screwdriver under the guide bush Fig. 53 (2).*
 - ▶ Appliances with closing damper:*
 - ▶ Insert the guide bush Fig. 53 (3) supplied on the other side of the housing.*
- ▶ The upper side of door faces upwards: Turn the door.

16.16 Moving the handles to the other side*

For all appliances:

Door hinge change

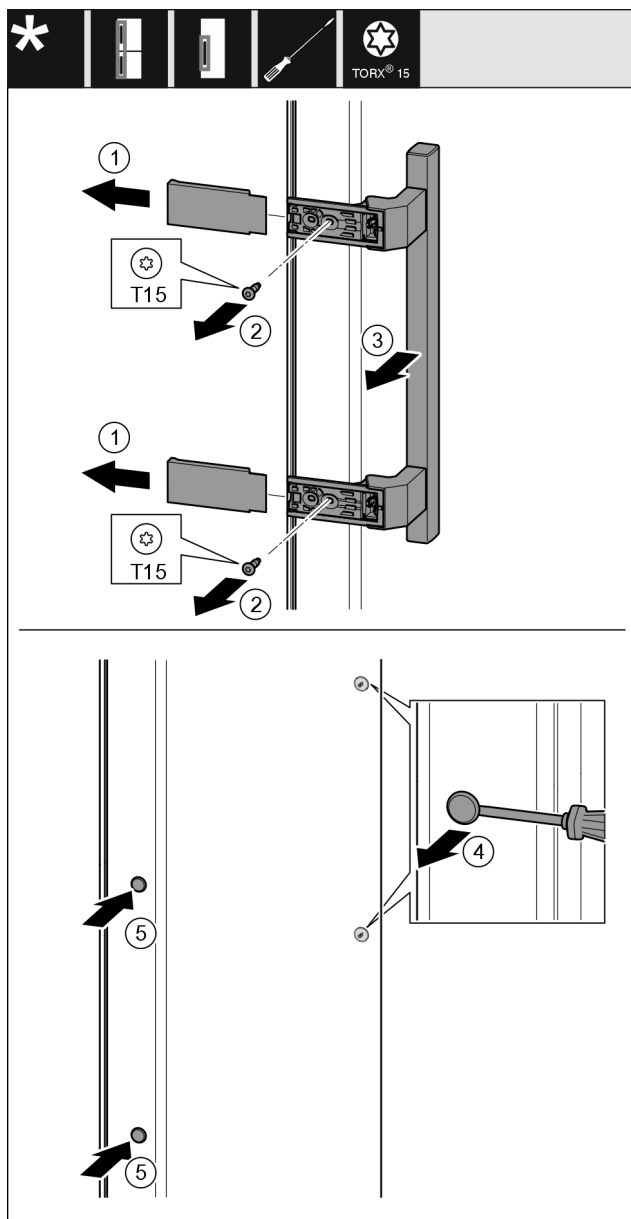


Fig. 54

- ▶ Remove the cover Fig. 54 (1).
- ▶ Unscrew screws Fig. 54 (2) with screwdriver.
- ▶ Remove the handle Fig. 54 (3).
- ▶ Use a slotted screwdriver to lift the side plug Fig. 54 (4) carefully and pull it out.
- ▶ Re-insert the plug Fig. 54 (5) on the other side.

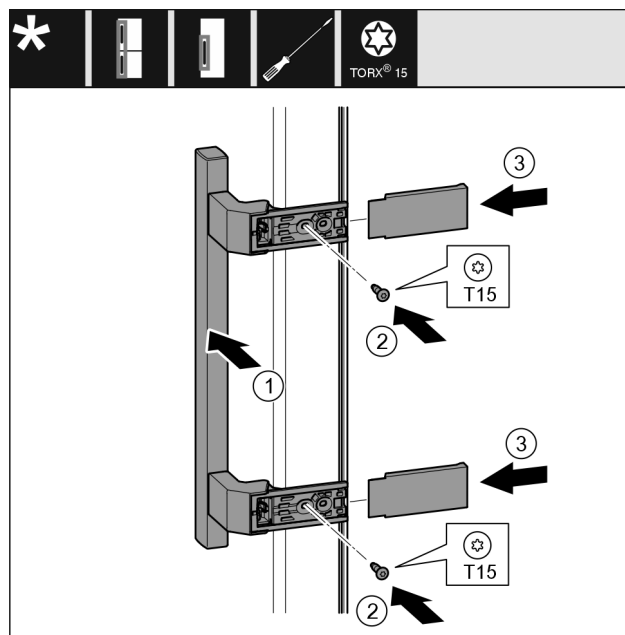


Fig. 55

- ▶ Place the handle Fig. 55 (1) on the opposite side.
- ▶ The screw holes must be exactly above each other.
- ▶ Tighten screws Fig. 55 (2) with screwdriver.
- ▶ Place the covers Fig. 55 (3) on the side and push them on.
- ▶ Ensure that they latch into place.

16.17 Without closing damper: Fitting the lower door*

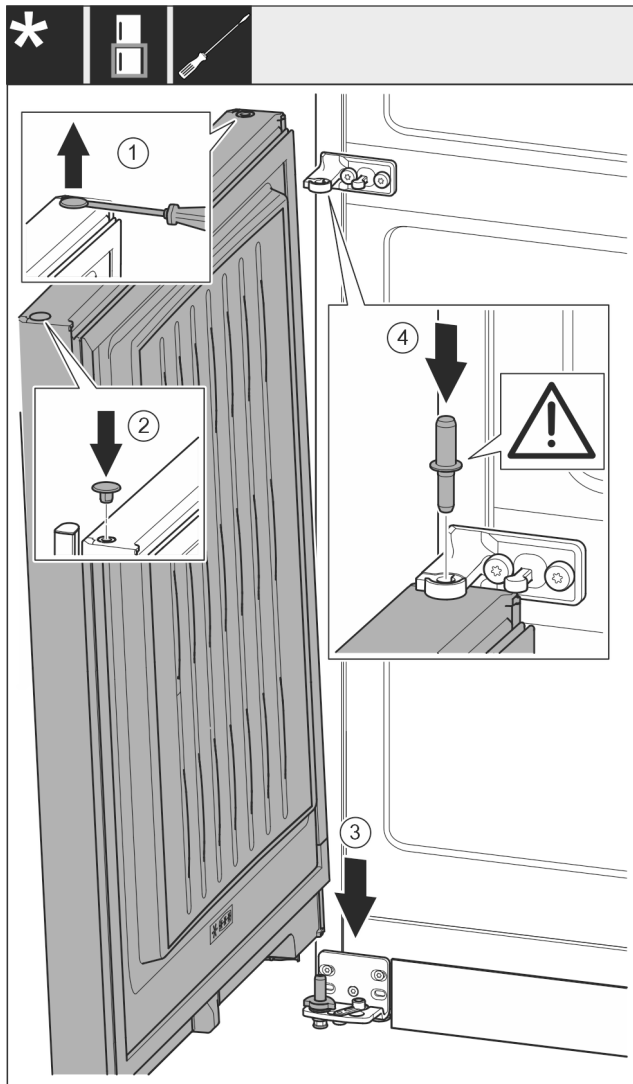


Fig. 56

- ▶ Use a slotted screwdriver to lift the plug Fig. 56 (1) carefully and pull it out.
- ▶ Re-insert the plug Fig. 56 (2) on the other door side.
- ▶ Lower the door Fig. 56 (3) onto the bottom bearing bolt.
- ▶ Insert the centre bearing bolt Fig. 56 (4) through the centre bearing block in the lower door. Ensure that the latching cam is pointing towards the rear.

16.18 With closing damper: Fitting the lower door*

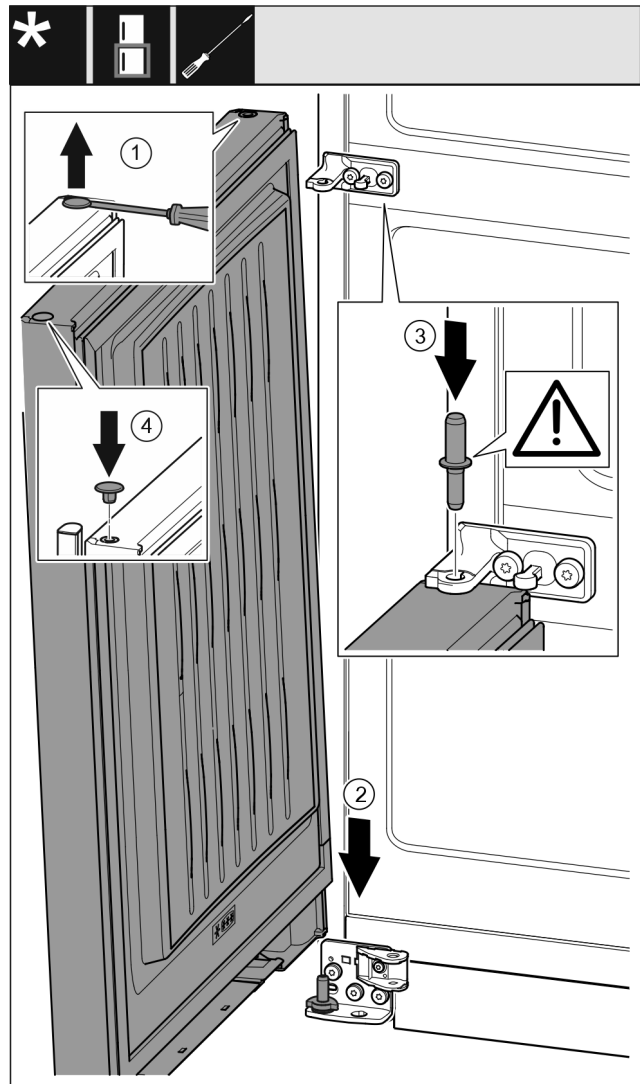


Fig. 57

- ▶ Use a slotted screwdriver to lift the plug Fig. 57 (1) carefully and pull it out.
- ▶ Lower the door Fig. 57 (2) onto the bottom bearing bolt.
- ▶ Insert the centre bearing bolt Fig. 57 (3) through the centre bearing block in the lower door. Ensure that the latching cam is pointing towards the rear.
- ▶ Re-insert the plug Fig. 57 (4) on the other door side.

16.19 Fitting the top door*

- ▶ Place the door on the centre bearing pins.*

Door hinge change

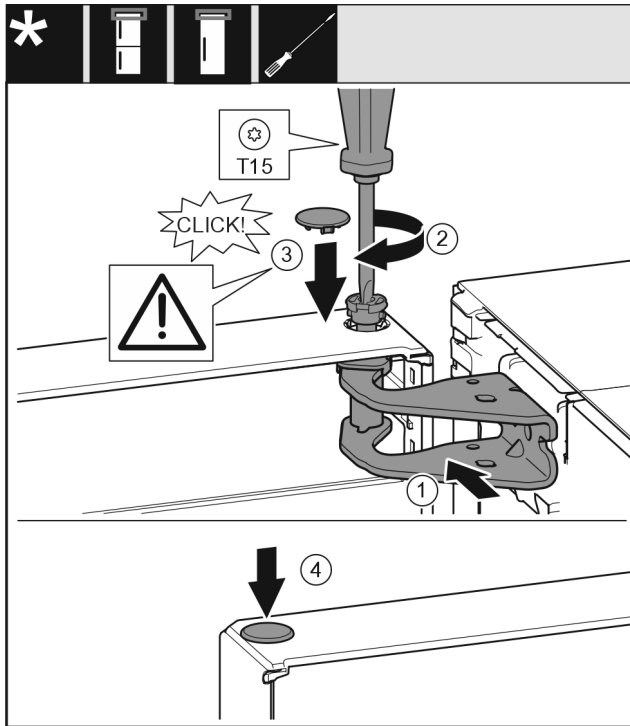


Fig. 58

- ▶ Align the top door with the opening in the swap bearing block Fig. 58 (1).
- ▶ Insert the bolt Fig. 58 (2) and use screwdriver to tighten it.
- ▶ Insert the cover Fig. 58 (3).
- ▶ Check that the cover Fig. 58 (3) is resting on the door.
- ▶ Insert the cover Fig. 58 (4).

16.20 Fitting the upper door*

- ▶ Place the door on the centre bearing bolt.*

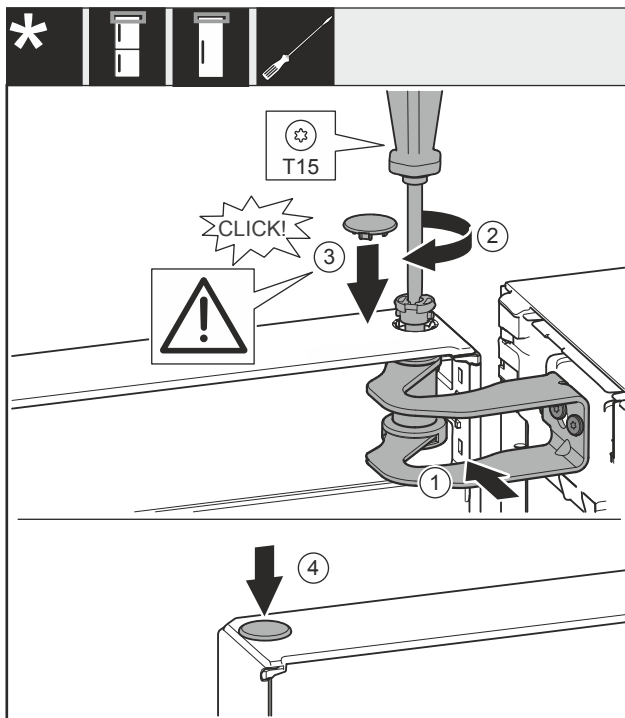


Fig. 59

- ▶ Align the door with the opening in the swap bearing block Fig. 59 (1).
- ▶ Insert the bolt Fig. 59 (2) and use screwdriver to tighten it.

- ▶ Insert the cover Fig. 59 (3).
- ▶ Check that the cover Fig. 59 (3) is resting on the door.
- ▶ Insert the cover Fig. 59 (4).

16.21 Fitting the upper door*

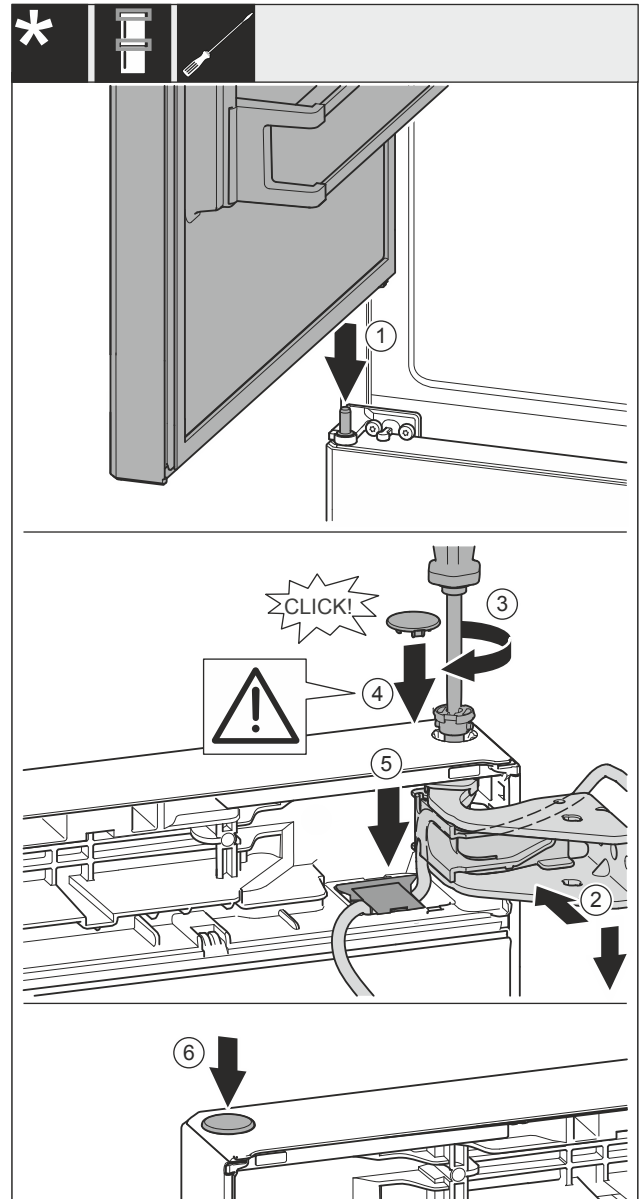


Fig. 60

- ▶ Place the top door on the centre bearing bolt Fig. 60 (1).
- ▶ Align the top door with the opening in the swap bearing block Fig. 60 (2).
- ▶ Insert the bolt Fig. 60 (3) and use screwdriver to tighten it.
- ▶ Insert the cover Fig. 60 (4).
- ▶ Check that the cover Fig. 60 (4) is resting on the door.
- ▶ Insert the cover Fig. 60 (5) and push down until it engages.
- ▶ Insert the cover Fig. 60 (6).

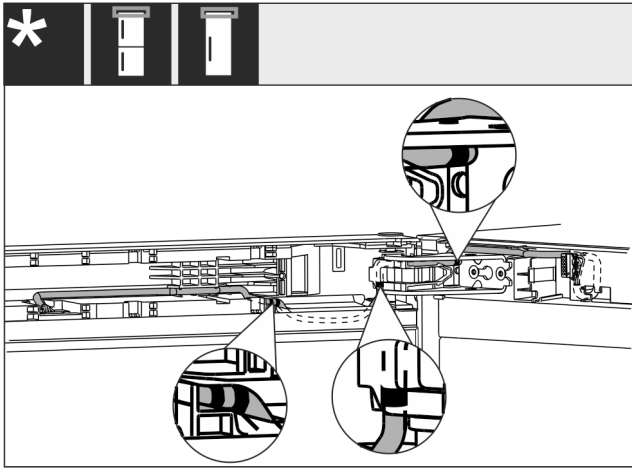


Fig. 61

- ▶ Lay the cable end with double marking in the door end piece.
- ▶ Cable routing is as shown in figure Fig. 61 [].

16.22 Fitting the cable connection*

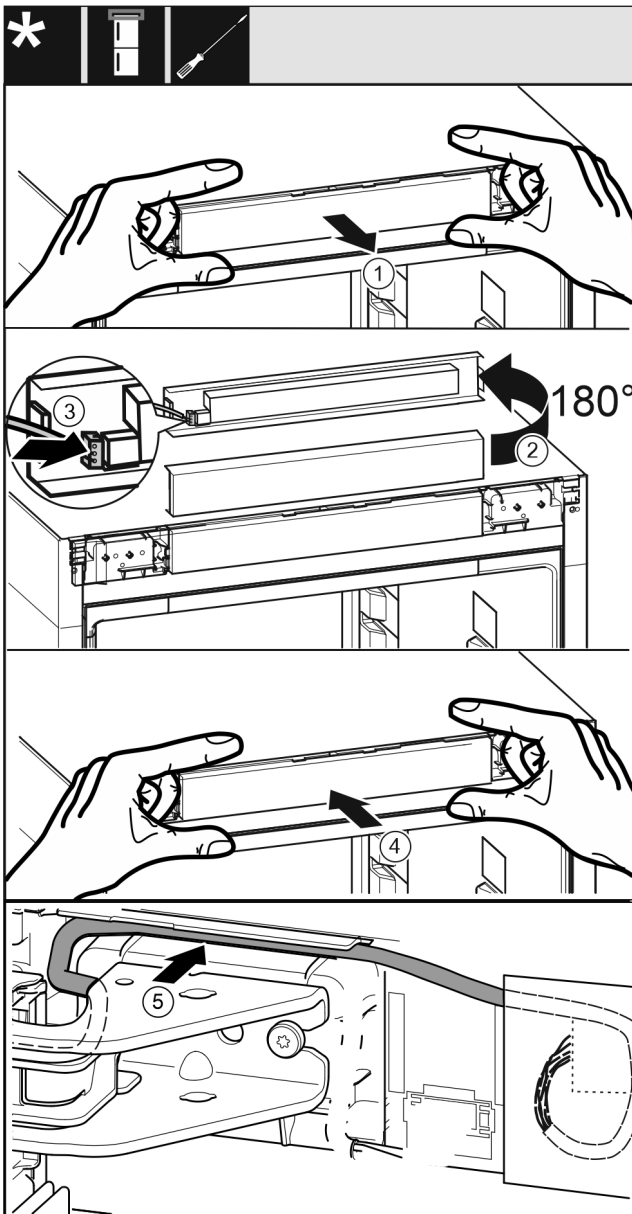


Fig. 62

- ▶ Remove the control panel trim Fig. 62 (1) carefully.

- ▶ Turn the control panel trim Fig. 62 (2) up by 180°.
- ▶ Engage the plug Fig. 62 (3) on the control panel trim.
- ▶ Re-engage the control panel trim Fig. 62 (4) on the appliance.
- ▶ Lay the cable Fig. 62 (5) carefully in the guide above the top swap bearing block.

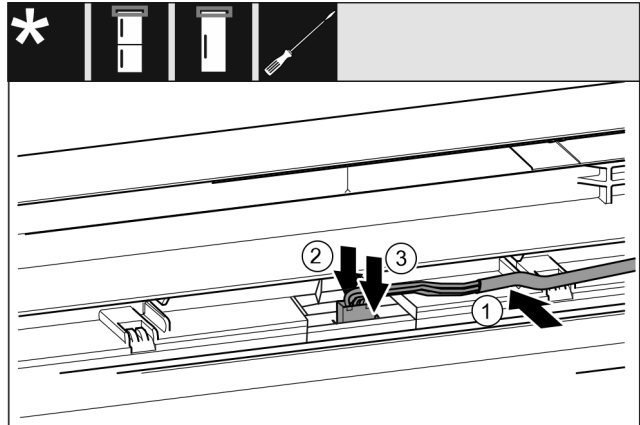


Fig. 63 Fridge/freezer combinations / freezers / refrigerators*

- ▶ Insert the cable Fig. 63 (1) into the guide in the top door.*
- ▶ Push the latching tab Fig. 63 (2) backwards.*
- ▶ Engage the plug Fig. 63 (3)*.

-or-

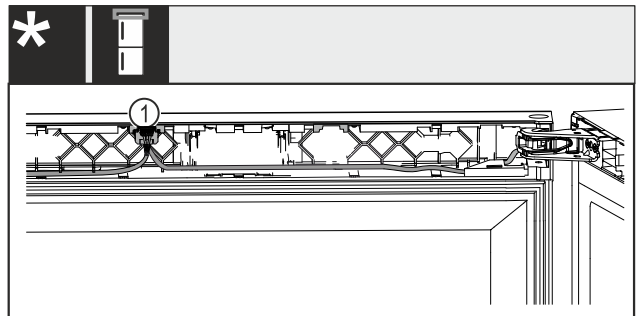


Fig. 64 Wine-freezer combinations*

- ▶ Insert both cables into the top door.*
 - ▶ Snap the plug Fig. 64 (1) into the guide.*
- For all appliances:
- ▶ Position the remaining cable length as a loop in the guide, if required.

16.23 Aligning the doors

For all appliances:



WARNING

Danger of injury due to door falling out!

If the bearing parts are not screwed on tightly enough, the door may fall out. This can result in serious injuries. In addition, the door may not close with the result that the appliance does not cool properly.

- ▶ Screw the bearing brackets on firmly with 4 Nm.
- ▶ Check all screws and retighten them if necessary.

- ▶ Align the doors flush with the appliance housing using the two slots in the lower bearing bracket and centre bearing bracket if needed. To do this undo the middle screw in the bottom bearing bracket with the T20 tool supplied. Undo the remaining screws a little with the T20 tool or with a T20 screwdriver and align using the slotted holes. Undo the screws in the middle bearing bracket with the T20 tool and align the middle bearing bracket using the slotted holes.

Door hinge change

- ▶ Prop up the door: Take off the adjustable foot on the bearing bracket using the open-ended wrench SW10 until it comes into contact with the floor, then turn an additional 90°.

16.24 Fitting the covers*

For appliances without a soft stop:

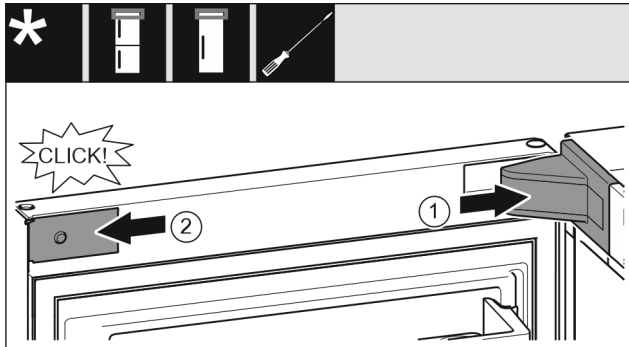


Fig. 65

The door is open 90°.

- ▶ Put the swap bearing block cover Fig. 65 (1) on and engage, push apart carefully if required.
- ▶ Place the trim Fig. 65 (2) on the side and engage.

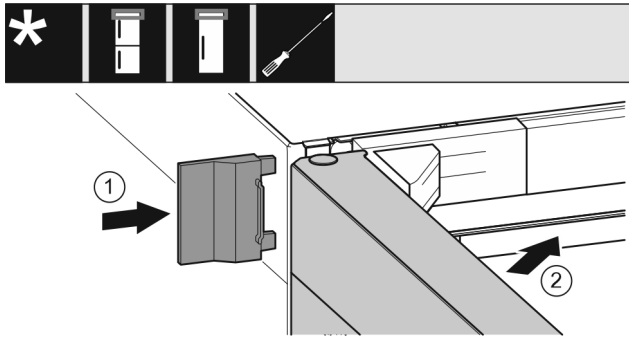


Fig. 66

- ▶ Push the outer cover Fig. 66 (1) on.
- ▶ Close the upper door Fig. 66 (2).

16.25 Appliances with closing damper: Fitting the lower closing damper*

For 700 mm and 750 mm wide appliances:*

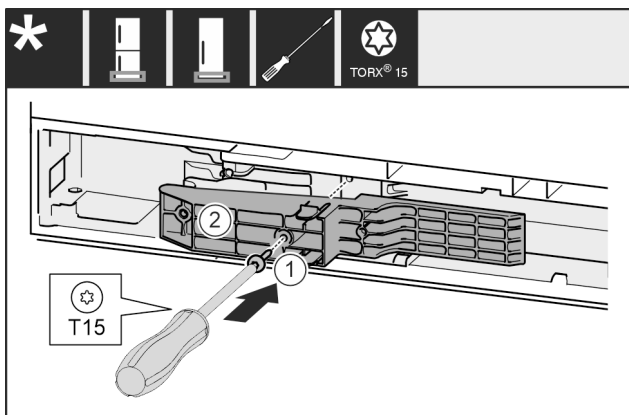


Fig. 67*

- ▶ Insert adapter Fig. 67 (1) in the recess on the handle side.*
- ▶ Tighten screw Fig. 67 (2) with screwdriver.*

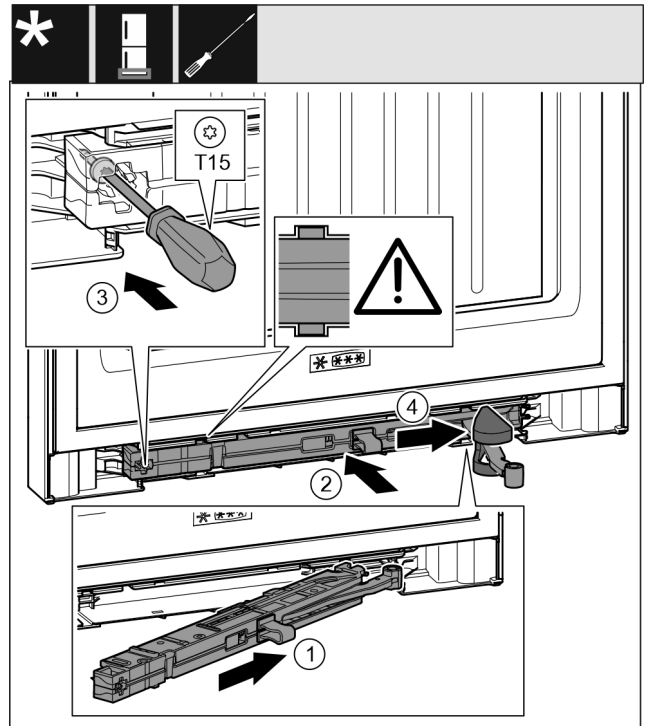


Fig. 68

- ▶ On the swap bearing block side, slide the closing damper unit Fig. 68 (1) into the recess at an angle up to the stop.
- ▶ Push the closing damper unit Fig. 68 (2) into the recess completely.
- ▶ The closing damper unit is positioned correctly if the closing damper unit's rib is in the guide.
- ▶ Use a screwdriver to tighten the screw Fig. 68 (3).
- ▶ Push the cover Fig. 68 (4) over the joint.

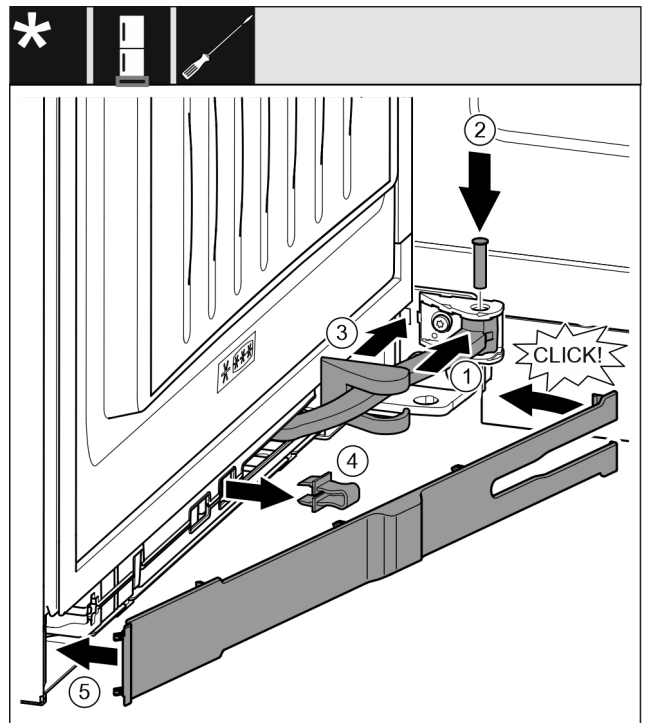


Fig. 69

The door is open 90°

- ▶ Turn the joint Fig. 69 (1) in the attachment.
- ▶ Use a screwdriver to insert the bolt Fig. 69 (2) into the attachment and the joint. Ensure that the latching cam is in the groove properly.
- ▶ Push the swap bearing block cover Fig. 69 (3) along the joint and use the attachment to fit it.

Connecting the appliance to the water supply*

- ▶ Remove the safeguard Fig. 69 (4).
- ▶ Place the trim Fig. 69 (5) on the handle side and swing in.
- ▶ The panel is latched into place.
- ▶ Close the bottom door.

16.26 Appliances with closing damper: Fitting the upper closing damper*

For 700 mm and 750 mm wide appliances:*

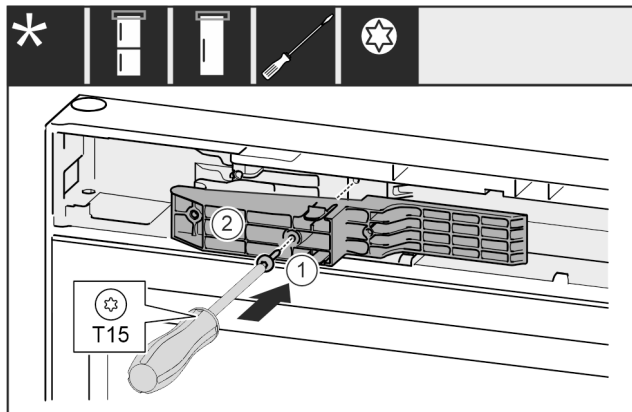


Fig. 70 *

- ▶ Insert adapter Fig. 70 (1) in the recess on the handle side.*
- ▶ Tighten screw Fig. 70 (2) with screwdriver.*

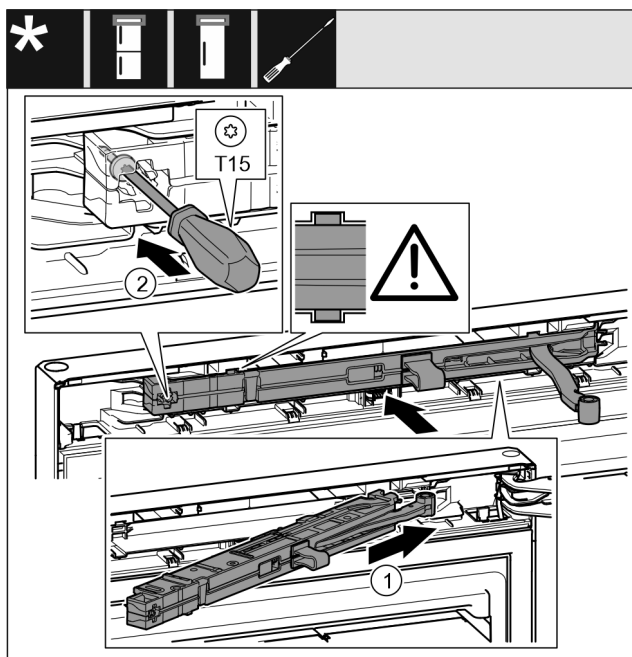


Fig. 71

- ▶ On the swap bearing block side, slide the closing damper unit Fig. 71 (1) into the recess at an angle up to the stop.
- ▶ Push the closing damper unit completely in.
- ▶ The closing damper unit is positioned correctly if the closing damper unit's rib is in the guide in the housing.
- ▶ Use a screwdriver to tighten the screw Fig. 71 (2).

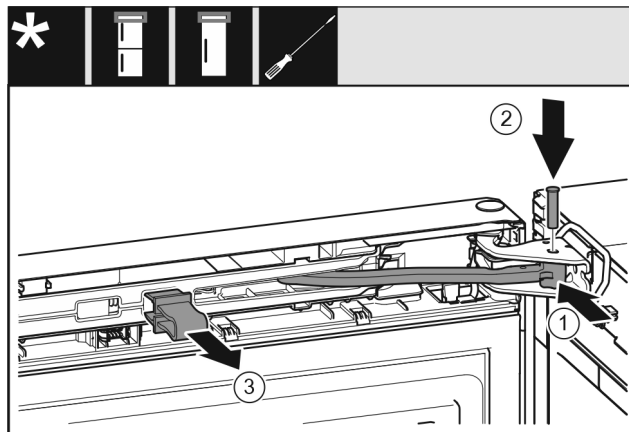


Fig. 72

- ▶ The door is open 90°.
- ▶ Turn the joint Fig. 72 (1) in the bearing block.
- ▶ Insert thebolt Fig. 72 (2) into the bearing bracket and joint. Ensure that the latching cam is in the groove properly.
- ▶ Remove the safeguard Fig. 72 (3).

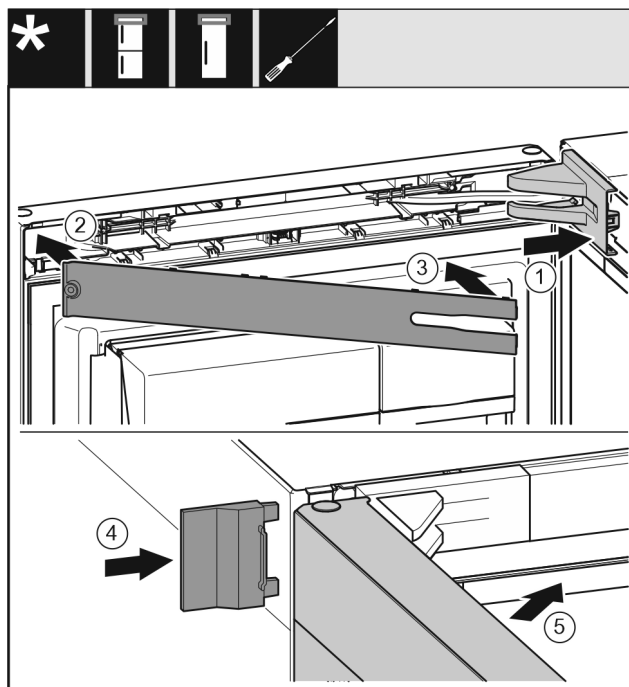


Fig. 73

- ▶ Put the swap bearing block cover Fig. 73 (1) on and engage, push apart carefully if required.
- ▶ Fit the trim Fig. 73 (2).
- ▶ Swivel in the cover Fig. 73 (3) and engage.
- ▶ Push the outer cover Fig. 73 (4) on.
- ▶ Close the upper door Fig. 73 (5).

17 Connecting the appliance to the water supply*

Make sure that the following requirements are fulfilled:

- The dimensions for the water supply connection are known and complied with.
- The correct water pressure is maintained.
- Water is supplied to the appliance via a cold water pipe which can withstand the operating pressure and is connected to the drinking water supply.
- All equipment and devices used to supply water must comply with the regulations in force in the respective country.

Water tank*

- ❑ The rear of appliance is accessible so that you can connect the appliance to the drinking water supply.
- ❑ The supplied hose is used. Old hoses have been disposed of.*
- ❑ The hose connector contains a filter with a seal.*
- ❑ There is a tap between the hose line and the domestic water connection so that you can turn off the water supply if necessary.*
- ❑ The tap is not directly behind the appliance and is easily accessible. This way, you can push the appliance as close as possible to the wall and can quickly turn off the tap if necessary.*



WARNING

Risk of electric shock from water!

- ▶ Before connecting to the water pipe: Disconnect the appliance from the mains.
- ▶ Before connecting to water supply lines: Shut off the water supply.
- ▶ Make sure that only qualified personnel connect the device to the drinking water supply.



WARNING

Risk of poisoning due to contaminated water!

- ▶ Only connect to the drinking water supply.

17.1 Connecting the hose*

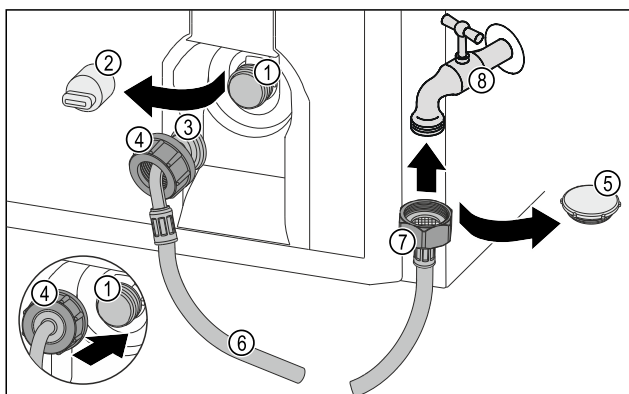


Fig. 74

- | | |
|--|-----------------------|
| (1) Solenoid valve: The solenoid valve is located at the bottom rear of the appliance. It has an R3/4 connection thread. | (5) Closure cap |
| (2) Cover | (6) Hose |
| (3) Angled hose end | (7) Straight hose end |
| (4) Nut | (8) Tap |

NOTICE

Risk of damage from incorrect installation!

- ▶ Do not damage or kink the hose.
- ▶ Do not damage or kink the hose when setting up the appliance.

Connecting the hose to the appliance:

- ▶ Pull off the cover (2).
- ▶ Push and hold the nut (4) all the way over the angled hose end (3).

NOTICE

The solenoid valve will not be tight if the thread is damaged! If the solenoid valve is not tight, water may leak out.

- ▶ Observe the following instructions for fitting the nut on the solenoid valve.

- ▶ Carefully position and hold the nut (4) on the solenoid valve (1).
- ▶ Screw the nut (4) by hand straight onto the thread until it is securely and firmly seated.
- ▶ The hose is connected to the appliance.

Connecting the hose to the tap:

- ▶ Remove the closure cap Fig. 74 (5).
- ▶ Place the straight end of the hose Fig. 74 (7) on the tap Fig. 74 (8).
- ▶ Tighten the nut at the straight end of the hose Fig. 74 (7) in a clockwise direction.
- ▶ The hose is connected to the tap.

17.2 Checking the water system

Before you completely install the appliance, Liebherr recommends checking the water system for leaks.

- ▶ Put in the InfinitySpring water tank. (see 18 Water tank*)
- ▶ Put in the InfinitySpring water filter. (see 19 Water filter*)
- ▶ Slowly turn on the tap.*
- ▶ Check the hose, water feed and connections for leaks.
- ▶ The water system has now been checked for leaks.
- ▶ The water system is not leaking: You can install up the appliance completely.

Note

InfinitySpring: Before the first use, you must put the InfinitySpring into operation. To do this you must bleed and clean the water system. (see Quick Start Guide or operating instructions)*

IceMaker: Before the first use, you must clean the IceMaker. (see Quick Start Guide or operating instructions)*

18 Water tank*

The water tank of the InfinitySpring is located behind the bottom drawer in the fridge section or BioFresh compartment, depending on the device.*

18.1 Inserting the water tank

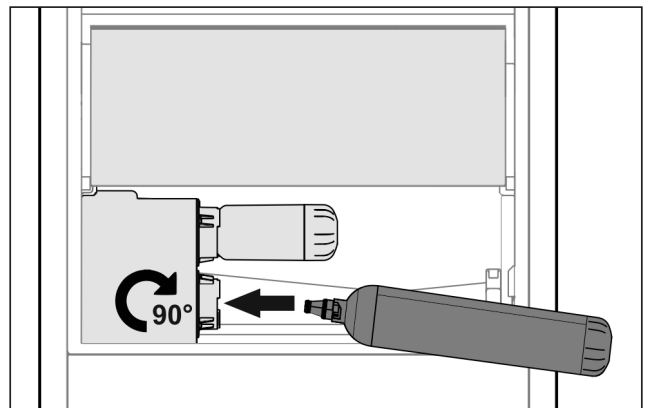


Fig. 75

- ▶ Remove the drawer compartment.
- ▶ Insert the water tank and rotate approx. 90° clockwise until it clicks in.
- ▶ Check that the tank is sealed and no water leaks out.
- ▶ Insert the drawer compartment.

- ▶ Bleed the water system. (see Quick Start Guide or operating instructions)

Instead of the water filter you can insert an additional water tank.*

Note

You can purchase this water tank as an optional extra.

19 Water filter*

Depending on your model, the water filter is behind the lowest drawer in the fridge or BioFresh compartment.*

It filters out deposits in the water and reduces the taste of chlorine.

- ❑ Replace the water filter at least every 6 months, or if there is a significant reduction in the flow rate.
- ❑ The water filter contains carbon and can be disposed of with the regular household waste.

Note

Water filters are available from the Liebherr-Hausgeräte store at home.liebherr.com/shop/de/deu/zubehor.html.

19.1 Inserting the water filter

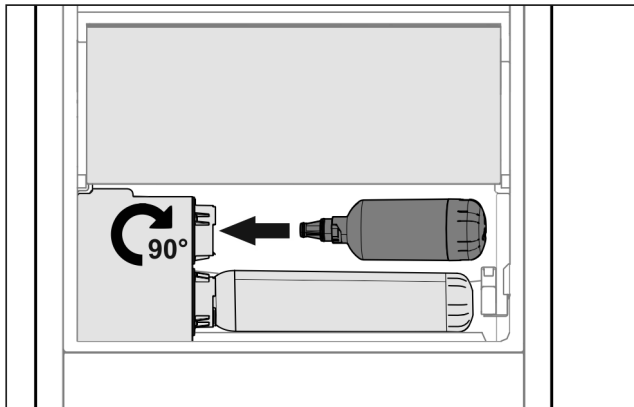


Fig. 76

- ▶ Remove the drawer compartment.
- ▶ Insert the water filter and rotate approx. 90° clockwise until it clicks in.
- ▶ Check that the filter is sealed and no water leaks out.
- ▶ Insert the drawer compartment.

Note

New water filters may contain suspended particles.*

- ▶ After replacing the filter: Draw and dispose of 3 l water at the InfinitySpring.

- ▶ The water filter is now ready for use.

20 Connecting the appliance to the power supply



WARNING

Danger of electric shock and injury due to damaged appliance or damaged mains cable!

Danger of cuts and fatal injuries. If the appliance or the mains cable is damaged during transport, you may be electrocuted. You could also cut yourself on damaged parts of the appliance housing.

- ▶ Check the appliance and the mains cable for damage after transport.
- ▶ Never put the appliance into operation if the appliance or the mains cable are damaged.
- ▶ Contact Customer Service.

You can connect your appliance to the mains using the power cable supplied separately. The mains power cable has an appliance coupler at one end and a mains plug at the other end.

Make sure that the following requirements are fulfilled:

- The appliance and power cable are undamaged.
- The appliance is set up in accordance with the regulations. (see 9 Mounting wall spacers*)
- Requirements for the electrical connection are met.
- Dimensions for connection in accordance with regulations are known and observed. (see 5 Connection dimensions for the power supply)
- Mains voltage and frequency correspond to the specifications on the type plate.
- The socket is earthed according to the regulations and fused.
- The fuse tripping current is between 10 A and 16 A.
- The socket is easily accessible and is not behind the appliance. (see 5 Connection dimensions for the power supply)

NOTICE

Danger of damage to incorrect operation!

Damage to the electrical components of the appliance.

- ▶ Only use the supplied mains cable.



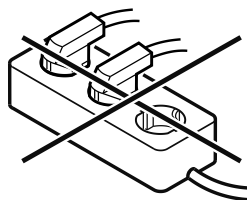
WARNING

Danger of fire due to incorrect connection!

Burns.

Damage to the appliance.

- ▶ Do not use an extension cable.
- ▶ Do not use distributor blocks.



NOTICE

Danger of damage to incorrect connection!

Damage to the appliance.

- ▶ Do not connect the appliance to a stand-alone inverter, e.g. solar power systems and petrol generators.

- ▶ Connect the mains cable plug to the power supply. Ensure that the plug is tightly in the socket.
- ▶ The Liebherr logo appears in the display.
- ▶ The display switches to the standby symbol.

Connecting the appliance to the power supply

- ▷ If no action occurs within 60 seconds: The standby symbol fades or disappears.
- ▷ The appliance is connected. For information regarding first use, see the following section or the operating instructions.



home.liebherr.com/fridge-manuals

EN fridge/freezer

Issue date: 20260119

Part number index: 7086760-00

Liebherr-Hausgeräte Marica EOOD
Bezirk Plovdiv
4202 Radinovo
Bulgarien